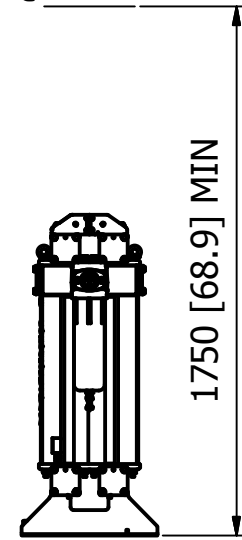
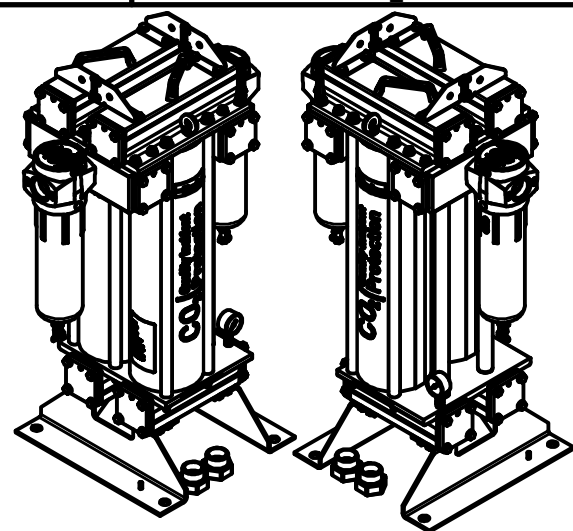
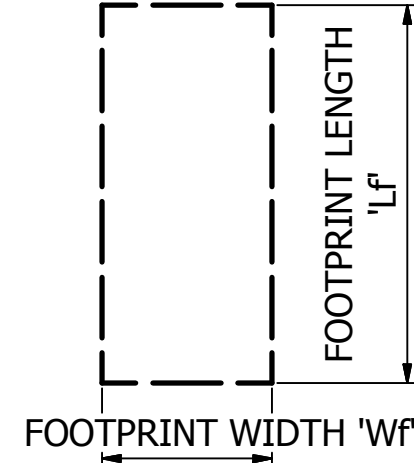


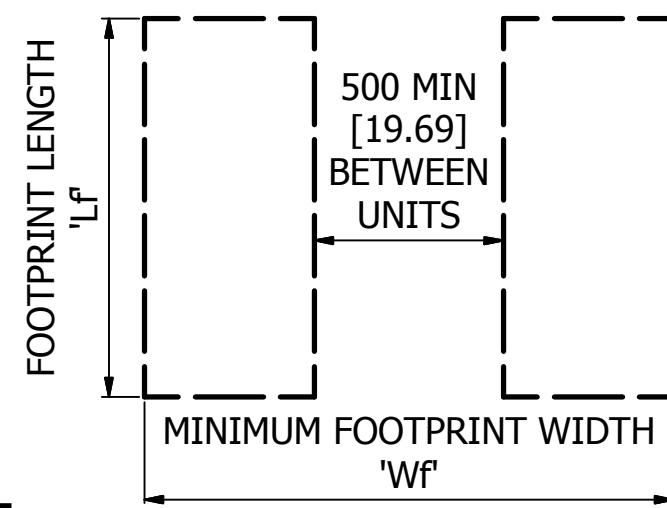
**VERTICAL CLEARANCE REQUIREMENT**



**PCO2 SINGLE UNIT INSTALLATIONS**



**PCO2 UNIT LAYOUT (DUPLIX INSTALLATIONS)**



**NOTE**  
 - PRIMARY DIMENSIONS IN mm  
 - ALTERNATIVE DIMENSIONS [IN BRACKETS] IN INCHES

**INTERNAL VOLUMES**

MODEL	VOLUME (L)
PCO2 800	36.8
PCO2 1600	63.3
PCO2 2400	89.8
PCO2 3200	116.4
PCO2 4000	142.9
PCO2 4800	169.4
PCO2-3200 Duplex	232.8
PCO2-4000 Duplex	285.8
PCO2-4800 Duplex	338.8

ECO No. 0305812 REV B

PLEASE CONSIDER THE ENVIRONMENT PRIOR TO PRINTING THIS DRAWING

DO NOT SCALE - IF IN DOUBT ASK

BASED ON BS 8888 DIMENSIONS IN MILLIMETRES

GENERAL TOLERANCES UNLESS OTHERWISE STATED

MACHINED DIMENSIONS  
 .XX ±0.13 UP TO 300 ±0.3  
 .X ±0.25 OVER 300 TO 600 ±0.5

POSITIONAL TOLERANCE  
 PLAIN HOLES Ø0.13  
 TAPPED HOLES Ø0.26  
 CONCENTRICITY TOLERANCE 0.13 TIR

MACHINED SURFACES INDICATED THUS  
 SURFACE TEXTURE TO BS 1134  
 VALUES IN MICROMETRES

ANGLES ±1/2° (EXCEPT CHAMFERS)

METRIC THREADS TO BS 3643 MED. CLASS  
 EXTERNAL 6g INTERNAL 6H  
 PIPE THREADS  
 PRESSURE TIGHT TO BS 21

SHEET METALWORK & FABRICATIONS  
 SHEET METALWORK DIMENSIONS  
 UP TO 500 ±0.5  
 OVER 500 TO 1000 ±1.0  
 OVER 1000 ±1.5

FABRICATED PARTS DIMENSIONS  
 UP TO 500 ±2  
 OVER 500 TO 1000 ±4  
 OVER 1000 ±6

POSITIONAL TOLERANCE FOR PLAIN & TAPPED HOLES  
 UP TO 500 Ø1.0  
 OVER 500 Ø2.0

MODEL	FLOWRATE Kg/h [lb/h]	MAINTENANCE KIT	WEIGHT / Kg [lb]	NUMBER OF CARTRIDGES	INLET PORT (NPT / BSP)	'L' / mm ["]	'Wf' / mm ["]	'Lf' /mm ["]	'BDC' / mm ["]
PCO2-800	363 [800]	MK-PCO2-800	106 [234]	2	1 1/2"	632 [24.88]	450 [17.72]	632 [24.88]	340 [13.39]
PCO2-1600	726 [1600]	MK-PCO2-1600	150 [331]	4	1 1/2"	801 [31.54]	450 [17.72]	801 [31.54]	509 [20.04]
PCO2-2400	1089 [2400]	MK-PCO2-2400	194 [428]	6	1 1/2"	970 [38.19]	450 [17.72]	970 [38.19]	678 [26.70]
PCO2-3200	1451 [3200]	MK-PCO2-3200	238 [525]	8	1 1/2"	1139 [44.84]	450 [17.72]	1139 [44.84]	847 [33.35]
PCO2-4000	1814 [4000]	MK-PCO2-4000	282 [622]	10	1 1/2"	1308 [51.50]	450 [17.72]	1308 [51.50]	1016 [40.0]
PCO2-4800	2177 [4800]	MK-PCO2-4800	326 [719]	12	1 1/2"	1477 [58.15]	450 [17.72]	1477 [58.15]	1185 [46.7]
PCO2-3200 Duplex	2904 [6400]	MK-PCO2-6400	476 [1050]	16 (8 PER UNIT)	1 1/2"	1139 [44.84]	1400 [55.12] MIN	1139 [44.84]	847 [33.35]
PCO2-4000 Duplex	3628 [8000]	MK-PCO2-8000	564 [1244]	20 (10PER UNIT)	1 1/2"	1308 [51.50]	1400 [55.12] MIN	1308 [51.50]	1016 [40.0]
PCO2-4800 Duplex	4354 [9600]	MK-PCO2-9600	652 [1438]	24 (12 PER UNIT)	1 1/2"	1477 [58.15]	1400 [55.12] MIN	1477 [58.15]	1185 [46.7]



Parker Hannifin Manufacturing Ltd  
 domnick hunter Filtration & Separation Division  
 Dukesway, Team Valley  
 Gateshead, Tyne & Wear  
 England, NE11 0PZ  
 TEL +44 (0)191 402 9000  
 FAX +44 (0)191 482 6296  
 www.parker.com/dhfn

THIS DOCUMENT IS COPYRIGHT AND IS THE PROPERTY OF PARKER HANNIFIN LTD. IT MUST NOT BE COPIED IN WHOLE OR PART, USED FOR MANUFACTURE OF, OR OTHERWISE DISCLOSED WITHOUT PRIOR WRITTEN CONSENT OF THE COMPANY © 2018 A3

MATERIAL	SCALE		DRAWN	CHECKED	APPROVED	TITLE PCO2 800-9600 SALES DRAWING
GEN. ARRT.	3:50		NAME	DTR	KW	
			DATE	23/05/2019	23/05/2019	

DRG No.	SHEET
101-10611	1 / 1