

PREVENTATIVE MAINTENANCE, BREAKDOWN SPARES
AND REPAIR KITS GUIDE: 17 873 0000 06/22 Rev -
USER GUIDE: 17 873 0002

Breathing Air System

Medium Flow

BAS HL 050 - BAS HL 085



Preventative Maintenance,
Breakdown Spares and Repair Kits Guide












(EN)



CLEANING

Clean the equipment with a damp cloth only and avoid excessive moisture around any electrical sockets. If required you may use a mild detergent, however do not use abrasives or solvents as they may damage the warning labels on the equipment.

SERVICE INTERVALS

Description of Service Required		Service Recommended Every:						
Component	Operation	Daily	Weekly	3 Months	6 Months	12 Months	24 Months	60 Months
Breathing Air Purifier	Check POWER ON and STATUS / FAULT indicators.							
Breathing Air Purifier	Check for air leaks.							
Breathing Air Purifier	Check the pressure gauges during purging for excessive back pressure.							
Breathing Air Purifier	Check the condition of electrical supply cables and conduits.							
Breathing Air Purifier	Check for cyclic operation.							
Breathing Air Purifier	Replace the exhaust silencers.							
Filtration	Replace inlet / outlet / control air filter elements. Replace inlet filter / control air filter float drains.							
Breathing Air Purifier	Replace Parker Dewpoint Sensor or Dewpoint Hygrometer transmitter							
Breathing Air Purifier	Replace the outlet check ball							
Breathing Air Purifier	Replace the inlet valves (x 2), exhaust valve (x1) and 5/2 control valves							
Breathing Air Purifier	Replace the Catalyst Cartridges							
Breathing Air Purifier	Replace the Desiccant Cartridges.							
Breathing Air Purifier	Replace the Carbon Cartridges.							

Key

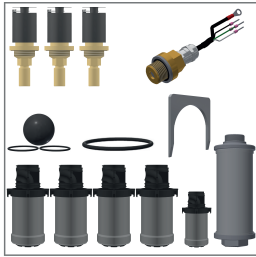
	Check		Recommended Service
---	-------	---	---------------------

PREVENTATIVE MAINTENANCE KITS - BAS HL

CATALOGUE NUMBER	DESCRIPTION	12	24	36	48	60	ORDER QTY
M12.FSK.9001	12 Month Filter Service Kit	✓	✓	✓	✓	✓	BAS HL 050 - BAS HL 055 (x1)
M12.FSK.9002	12 Month Filter Service Kit	✓	✓	✓	✓	✓	BAS HL 060 (x1)
M12.FSK.9003	12 Month Filter Service Kit	✓	✓	✓	✓	✓	BAS HL 065 (x1)
M12.FSK.9004	12 Month Filter Service Kit	✓	✓	✓	✓	✓	BAS HL 070 (x1)
M12.FSK.9005	12 Month Filter Service Kit	✓	✓	✓	✓	✓	BAS HL 075 (x1)
M12.FSK.9006	12 Month Filter Service Kit	✓	✓	✓	✓	✓	BAS HL 080 (x1)
M12.FSK.9007	12 Month Filter Service Kit	✓	✓	✓	✓	✓	BAS HL 085 (x1)
24 Month Catalyst Service Kits							
M24.CAT.9001	24 Month Catalyst Service Kit	✗	✓	✗	✓	✗	BAS HL 050 - BAS HL 060 (x1)
M24.CAT.9002	24 Month Catalyst Service Kit	✗	✓	✗	✓	✗	BAS HL 065 - BAS HL 070 (x1)
M24.CAT.9003	24 Month Catalyst Service Kit	✗	✓	✗	✓	✗	BAS HL 075 (x2)
M24.CAT.9004	24 Month Catalyst Service Kit	✗	✓	✗	✓	✗	BAS HL 080 - BAS HL 085 (x2)
60 Month Desiccant Service Kits							
M60.DSK.9001	60 Month Desiccant Service Kit	✗	✗	✗	✗	✓	BAS HL 050 (x1)
M60.DSK.9002	60 Month Desiccant Service Kit	✗	✗	✗	✗	✓	BAS HL 055 (x1)
M60.DSK.9003	60 Month Desiccant Service Kit	✗	✗	✗	✗	✓	BAS HL 060 (x1)
M60.DSK.9004	60 Month Desiccant Service Kit	✗	✗	✗	✗	✓	BAS HL 065 (x1)
M60.DSK.9005	60 Month Desiccant Service Kit	✗	✗	✗	✗	✓	BAS HL 070 (x1)
M60.DSK.9006	60 Month Desiccant Service Kit	✗	✗	✗	✗	✓	BAS HL 075 (x1)
M60.DSK.9007	60 Month Desiccant Service Kit	✗	✗	✗	✗	✓	BAS HL 080 (x1)
M60.DSK.9008	60 Month Desiccant Service Kit	✗	✗	✗	✗	✓	BAS HL 085 (x1)

PM KIT CONENTS

Every 12 months



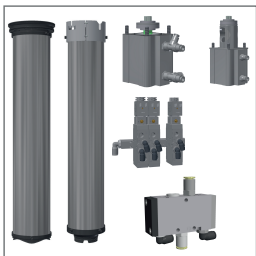
CATALOGUE NO'S	DESCRIPTION	CONTENTS
M12.FSK.9001 M12.FSK.9002 M12.FSK.9003 M12.FSK.9004 M12.FSK.9005 M12.FSK.9006 M12.FSK.9007	Kit: 12 month service	Filter elements (x5) Filter Drains (x3) Silencer element (x1) Dewpoint sensor (x1) Outlet check valve (x1) Carbon Cartridge (x1)

Every 24 months



CATALOGUE NO'S	DESCRIPTION	CONTENTS
M24.CAT.9001 M24.CAT.9002 M24.CAT.9003 M24.CAT.9004	Kit: 24 month service	Catalyst Cartridge(s) <i>models - BAS HL 050 - BAS HL 070 (x1)</i> <i>models - BAS HL 075 - BAS HL 085 (x2)</i>

Every 60 months



CATALOGUE NO'S	DESCRIPTION	CONTENTS
M60.DSK.9001 M60.DSK.9002 M60.DSK.9003 M60.DSK.9004 M60.DSK.9005 M60.DSK.9006 M60.DSK.9007 M60.DSK.9008	Kit: 60 month service	Desiccant cartridges Inlet and exhaust valves Control valves QRV valve

BREAKDOWN SPARES

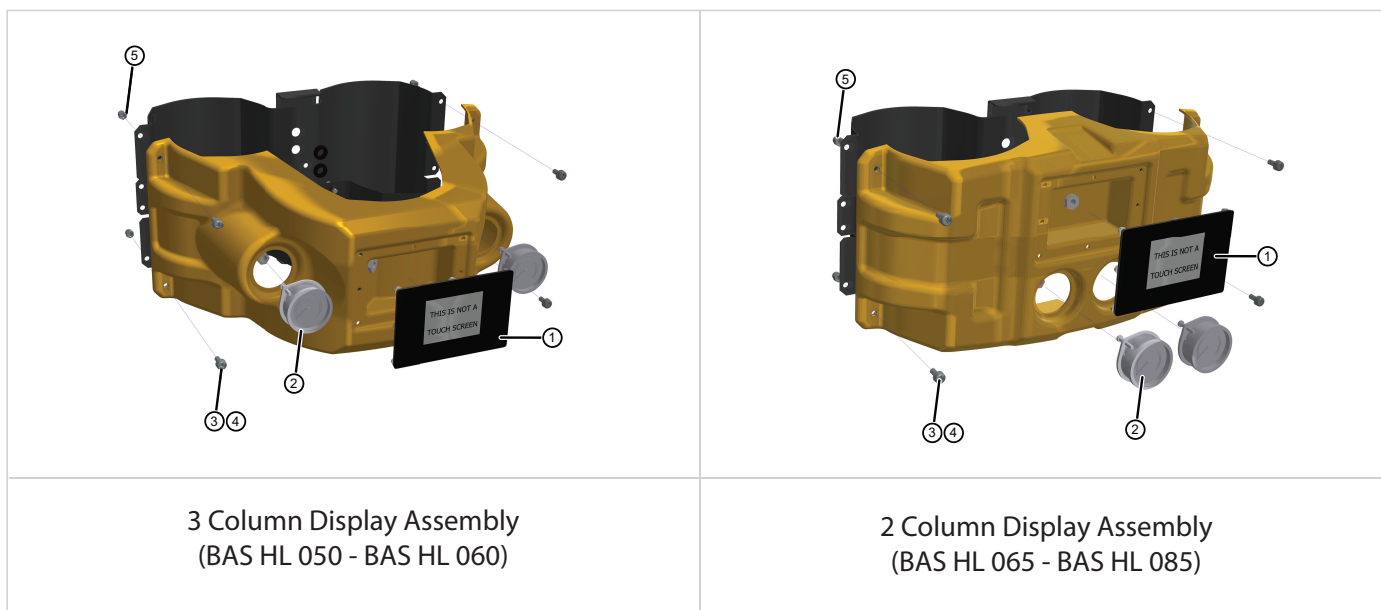
BREAKDOWN SPARES - BAS HL 050 - 085



BAS HL 050 - BAS HL 085

REFERENCE NO.	DESCRIPTION
1	Front Facia Assembly
2	Control Box
3	Silencer
4	Parker Dewpoint Sensor
5	Filtration
6	Control Valve
7	Valve Block Assembly

DISPLAY ASSEMBLIES

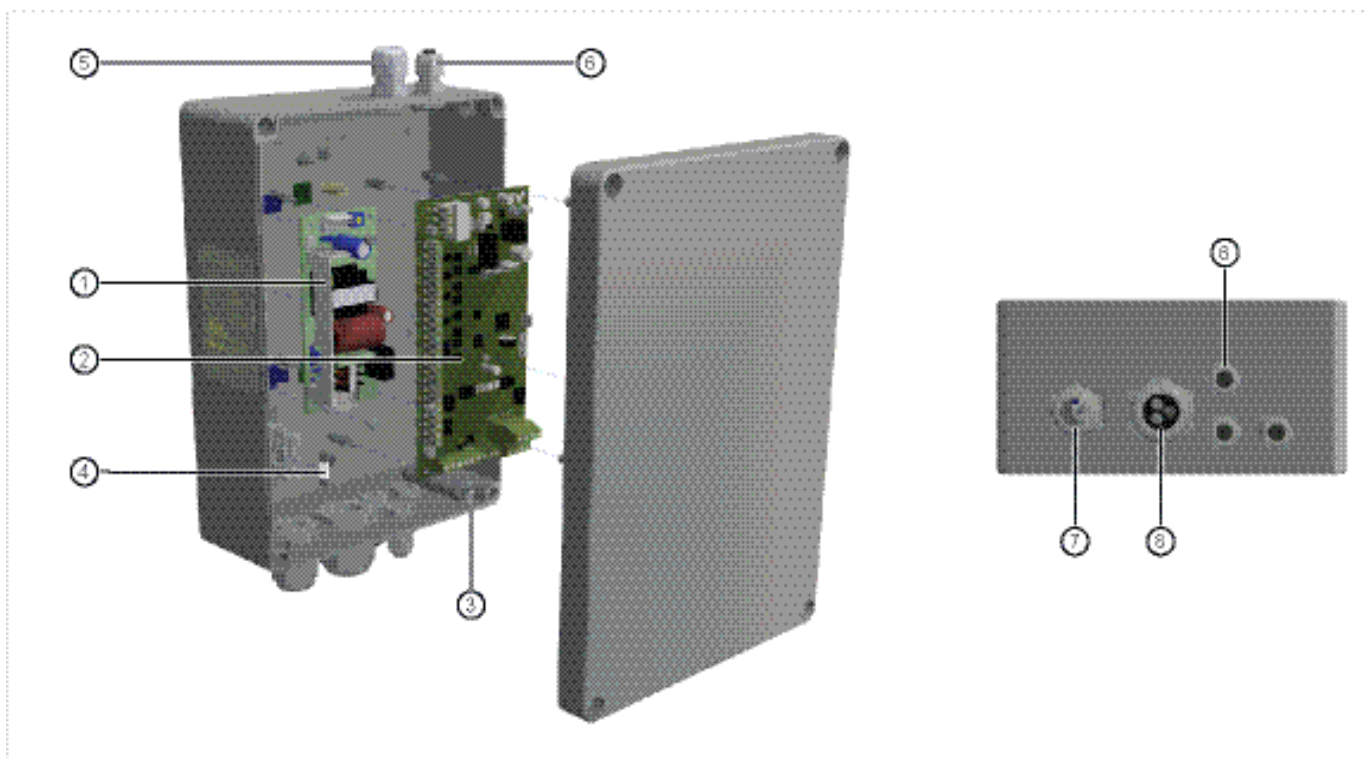


3 Column Display Assembly
(BAS HL 050 - BAS HL 060)

2 Column Display Assembly
(BAS HL 065 - BAS HL 085)

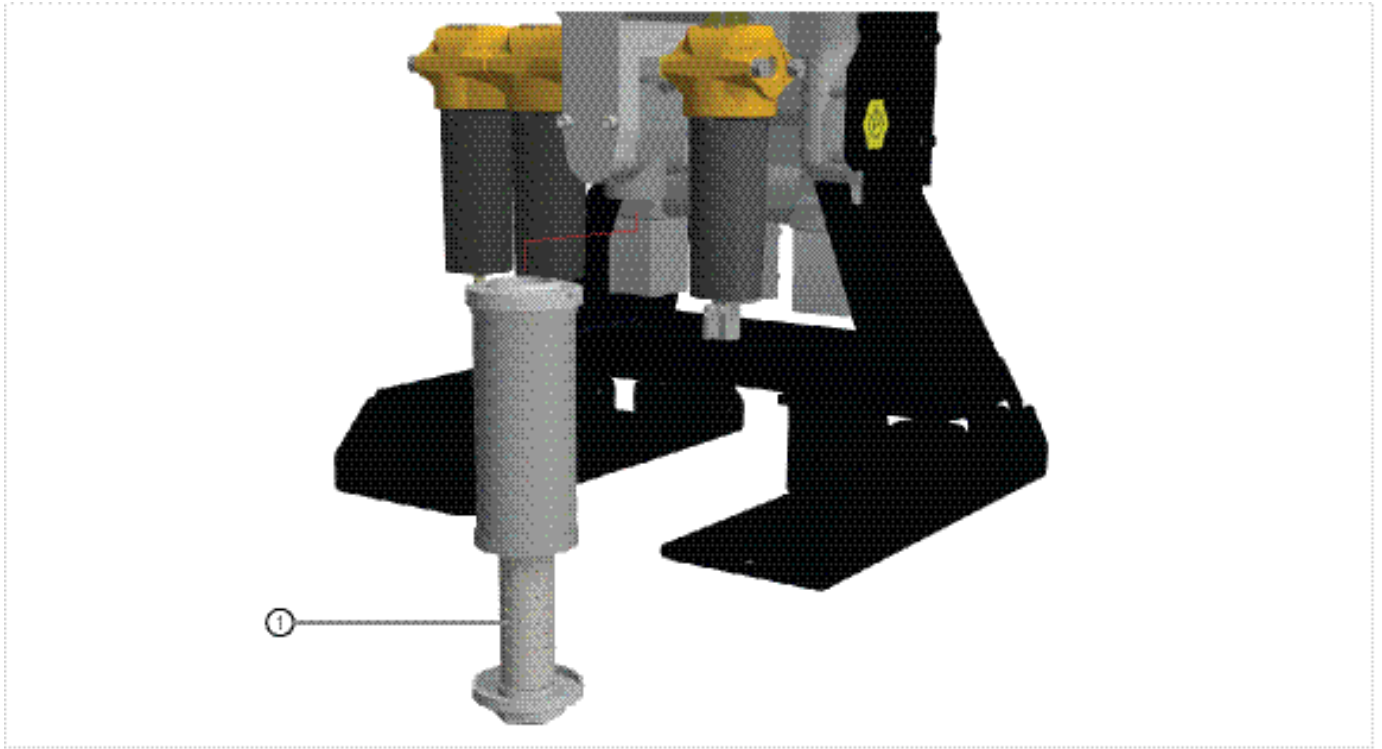
REFERENCE NO.	KIT NUMBER	DESCRIPTION	KIT QTY	COMMENTS
1	S308730000	Repair Kit - LED Display assembly	1	-
2	R274004300	Repair Kit - Pressure gauge panel mounted	2	-
3	-	M6 x 16 Pozi Pan Head Screw - Zinc Plated	-	Item to be sourced locally
4	-	M6 Washer - Zinc Plated	-	Item to be sourced locally
5	-	M6 Dome Nut - Zinc Plated	-	Item to be sourced locally

CONTROL BOX ASSEMBLY



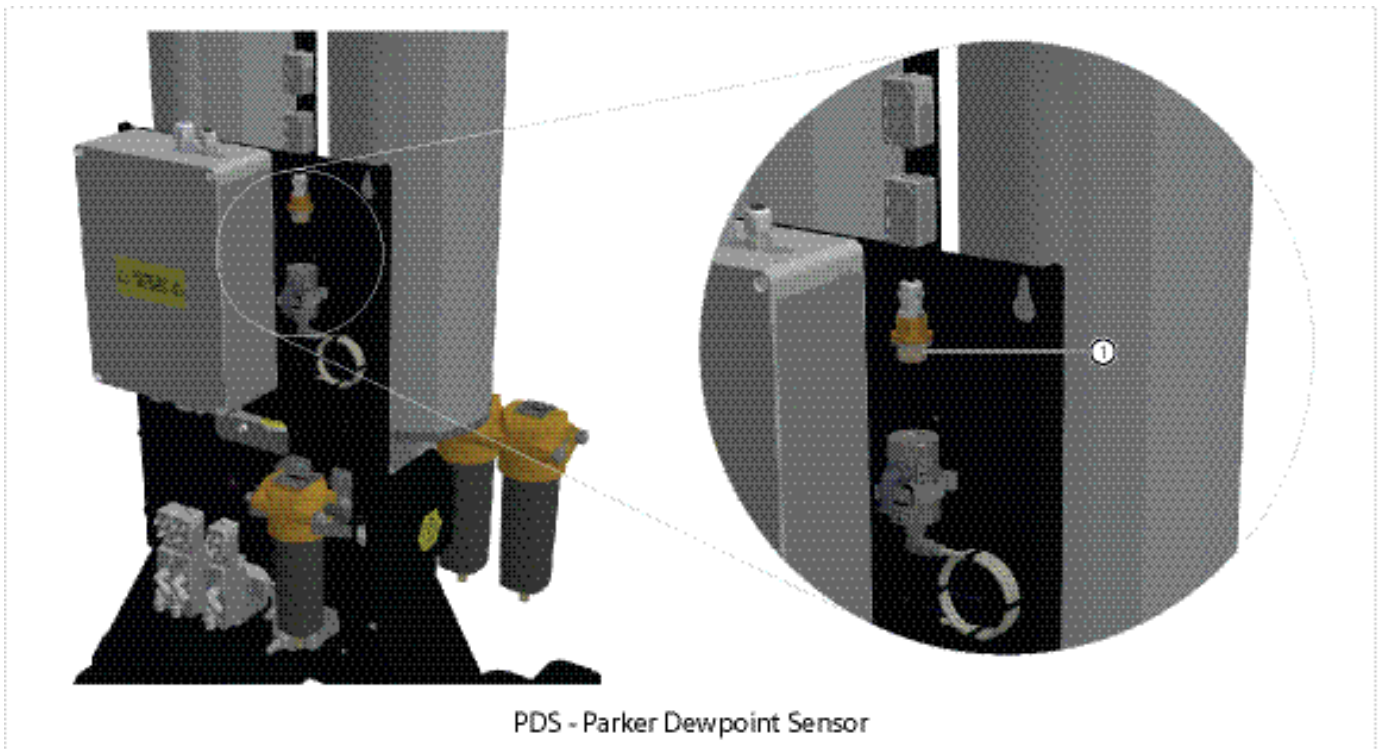
REFERENCE NO.	KIT NUMBER	DESCRIPTION	KIT QTY	COMMENTS
1	R278730254	Repair Kit - Power Supply BAS HL 050 - 085	1	-
2	S278730300	Repair Kit -BAS HL 050 - 085 Controller	2	-
3	-	M3 Pre Tq Nut Non Met - BZP	-	Item to be sourced locally
4	-	Fuse 5x20 Anti Surge 3.15A 250VAC	-	Item to be sourced locally
5	-	M16 x 1.5 Cable Gland	-	Item to be sourced locally
6	-	M12 x 1.5 Cable Gland	-	Item to be sourced locally
7	-	PG13.5 Cable Gland	-	Item to be sourced locally
8	-	M25 x 1.5 Cable Gland	-	Item to be sourced locally

SILENCER BAFFLE ASSEMBLY



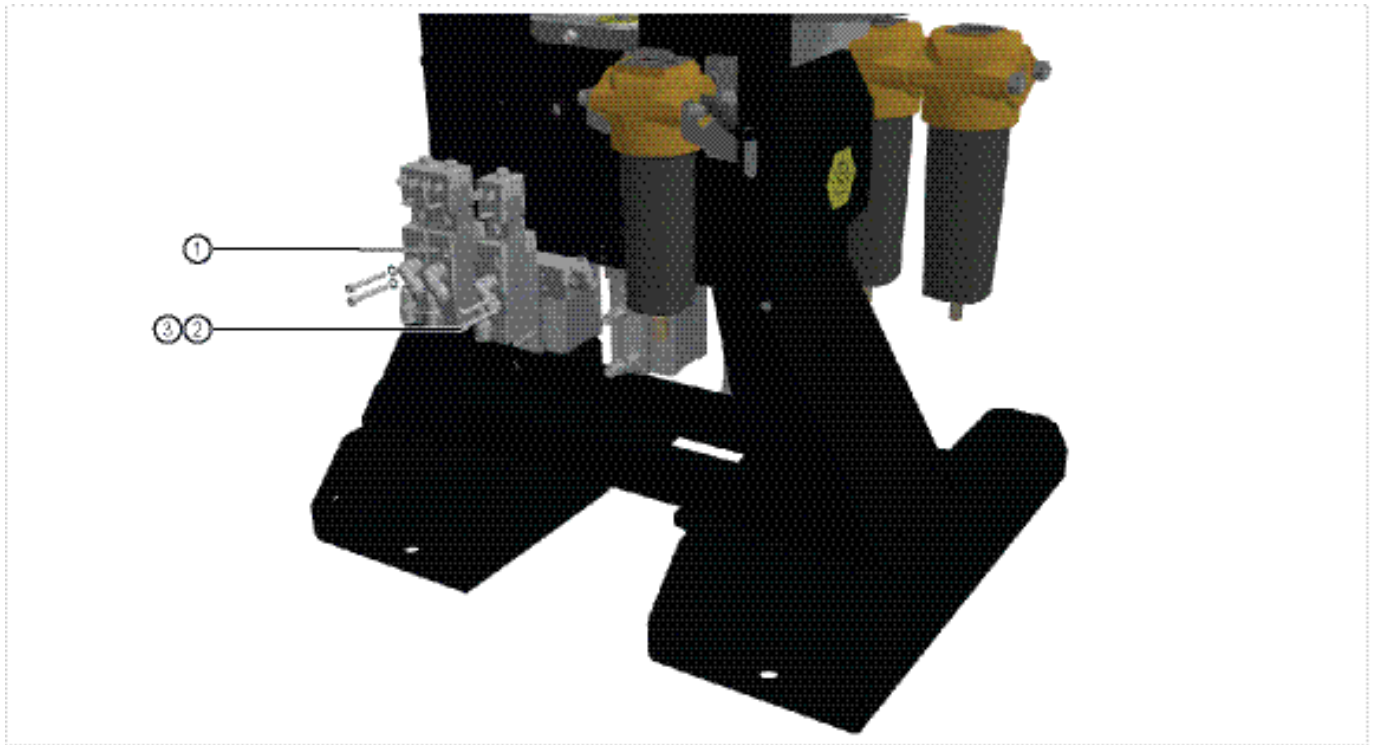
REFERENCE NO.	KIT NUMBER	DESCRIPTION	KIT QTY	COMMENTS
1	R278730146	Repair Kit - Silencer Baffle	1	-

PDS - PARKER DEWPOINT SENSOR



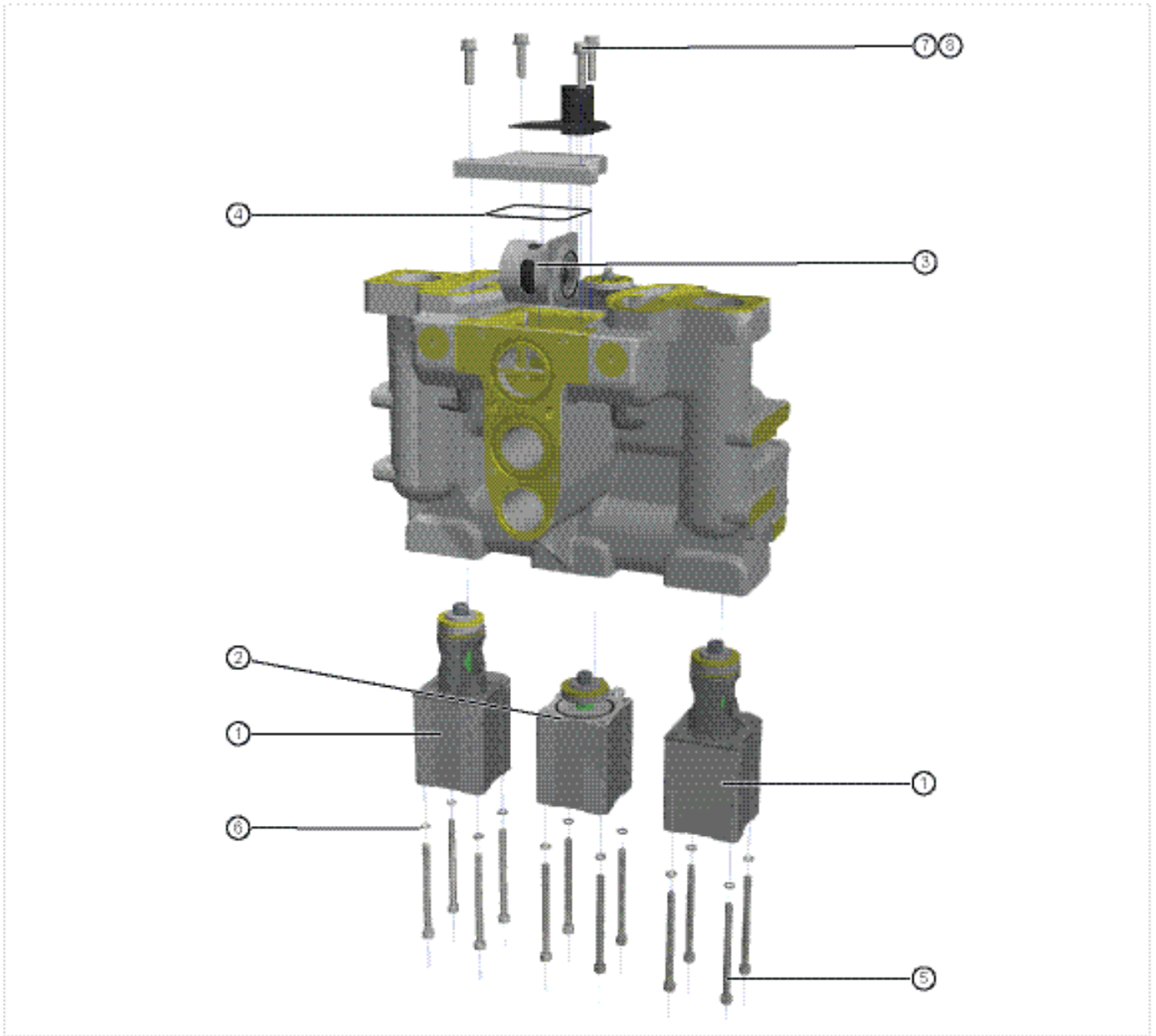
REFERENCE NO.	KIT NUMBER	DESCRIPTION	KIT QTY	COMMENTS
1	S308730001	Repair Kit - Parker Dewpoint Sensor	1	-

CONTROL VALVE



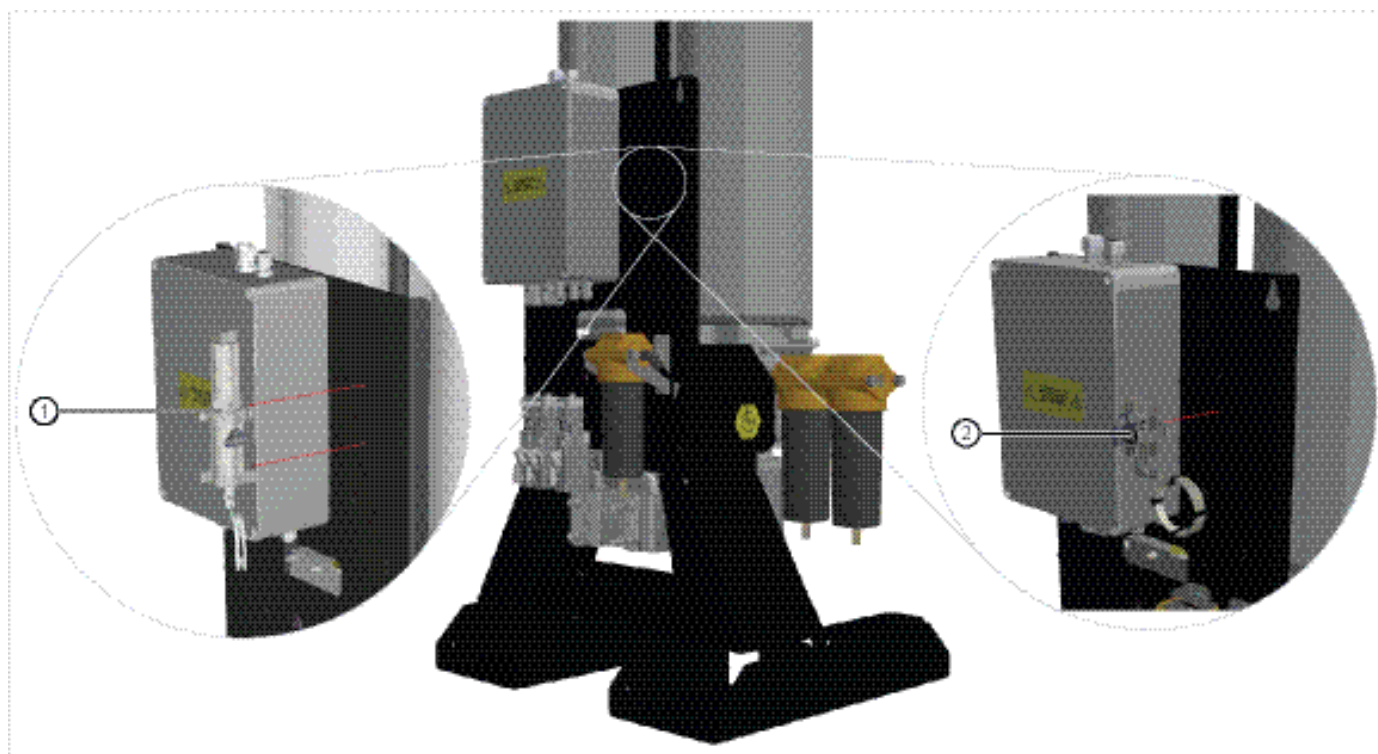
REFERENCE NO.	KIT NUMBER	DESCRIPTION	KIT QTY	COMMENTS
1	R278730136	Repair Kit - 5/2 Control Valve	1	-
2	-	M4 x 35 Socket Head Screw	-	Item to be sourced locally
3	-	M4 Washer Zinc Plated	-	Item to be sourced locally

VALVE BLOCK ASSEMBLY



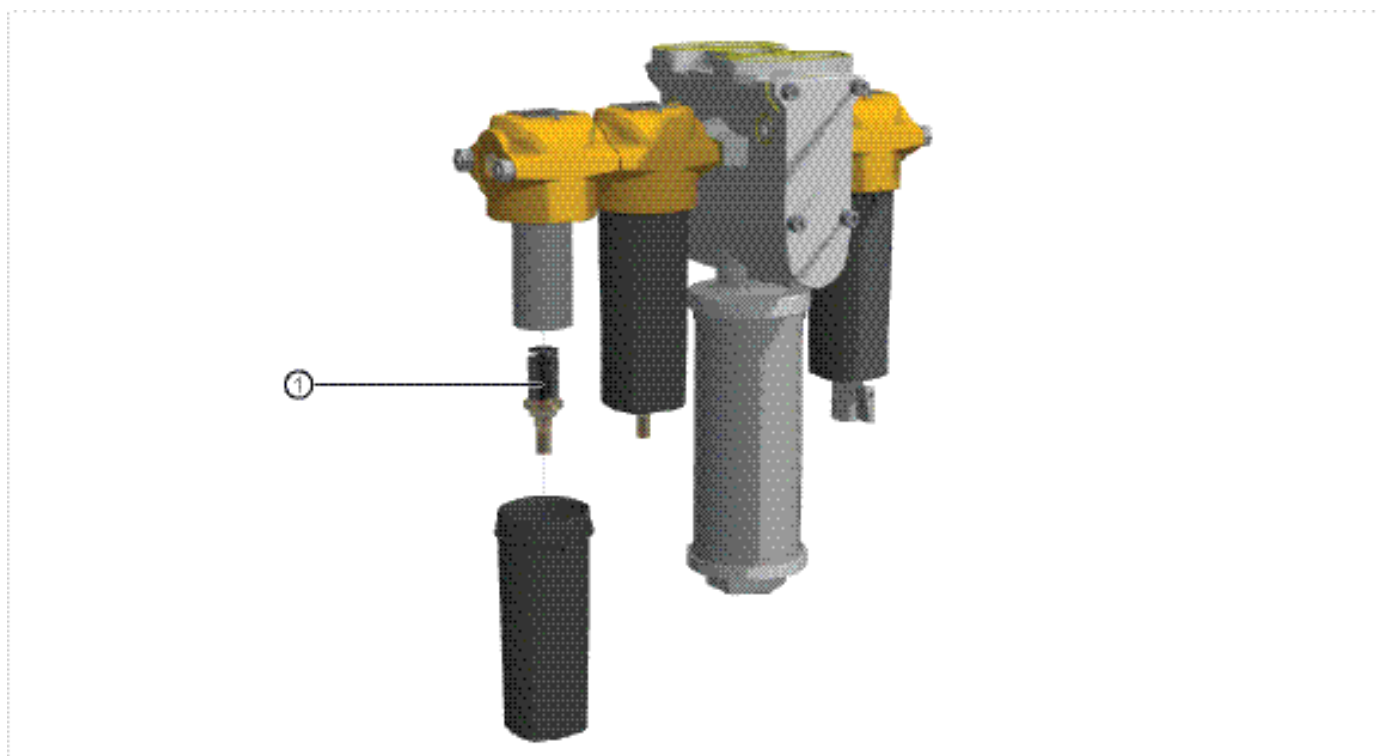
REFERENCE NO.	KIT NUMBER	DESCRIPTION	KIT QTY	COMMENTS
1	R458730002	Repair Kit - Inlet Cylinder	1	-
2	R458730003	Repair Kit - Exhaust Cylinder	1	-
3	S458730035	Repair Kit - Outlet Ball Shuttle Assembly	1	-
4	R051003770	O-Ring 69.57x1.78 BS039 High Nitrile	-	-
5	-	M6x 85 Socket Head Cap Screw - Bright Zinc Plated	-	ISO-4762 or equivalent standard Item to be sourced locally
6	-	M6 Spring Washer - Zinc Plated	-	Item to be sourced locally
7	-	M6 x 25 Socket Head Cap Screw	-	Item to be sourced locally
8	-	M6 Washer - Bright Zinc Plated	-	Item to be sourced locally

HYGROMETER SENSOR ASSEMBLY



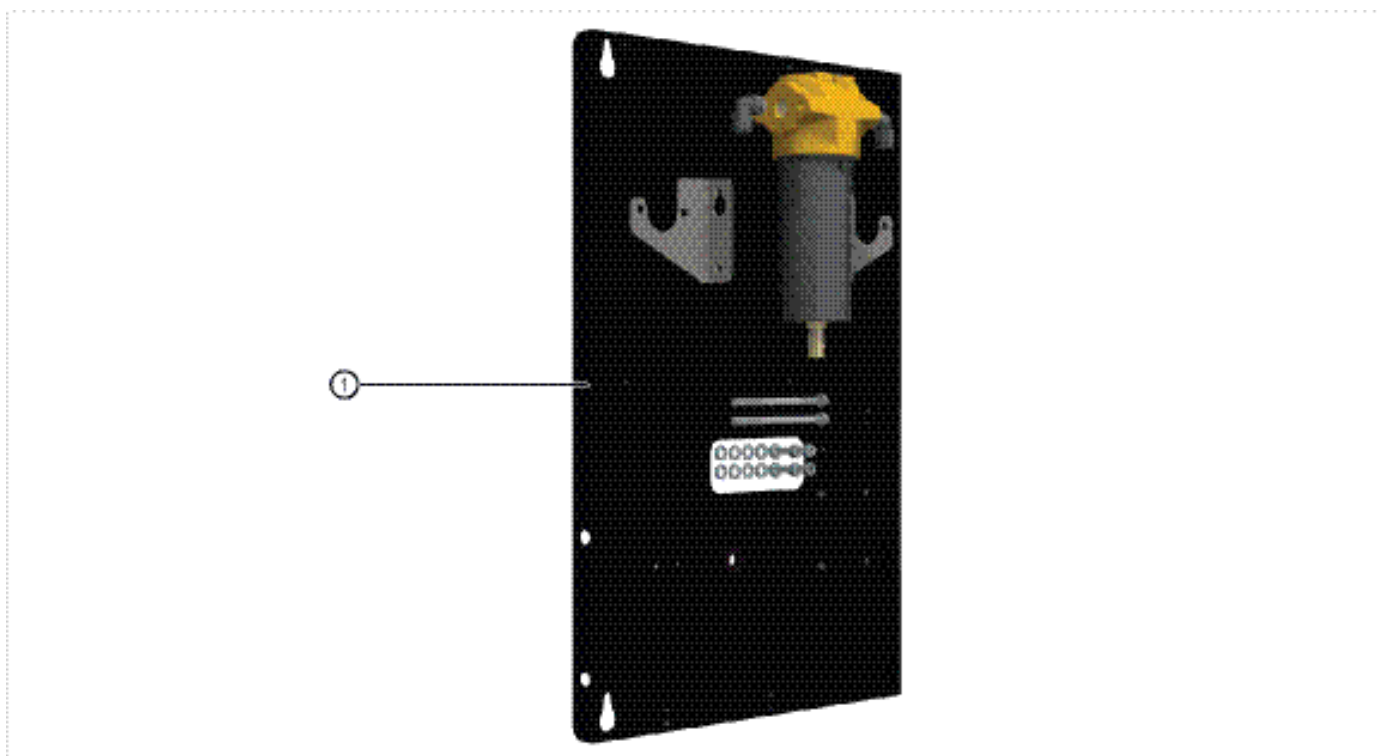
REFERENCE NO.	KIT NUMBER	DESCRIPTION	KIT QTY	COMMENTS
1	F458730110	BAS HL -20°C PDP / -40 °C PDP to -70°C Sensor Conversion Kit	1	-
2	608730005	KIT: BAS HL PDS Sensor Housing	1	-

FILTER ASSEMBLY



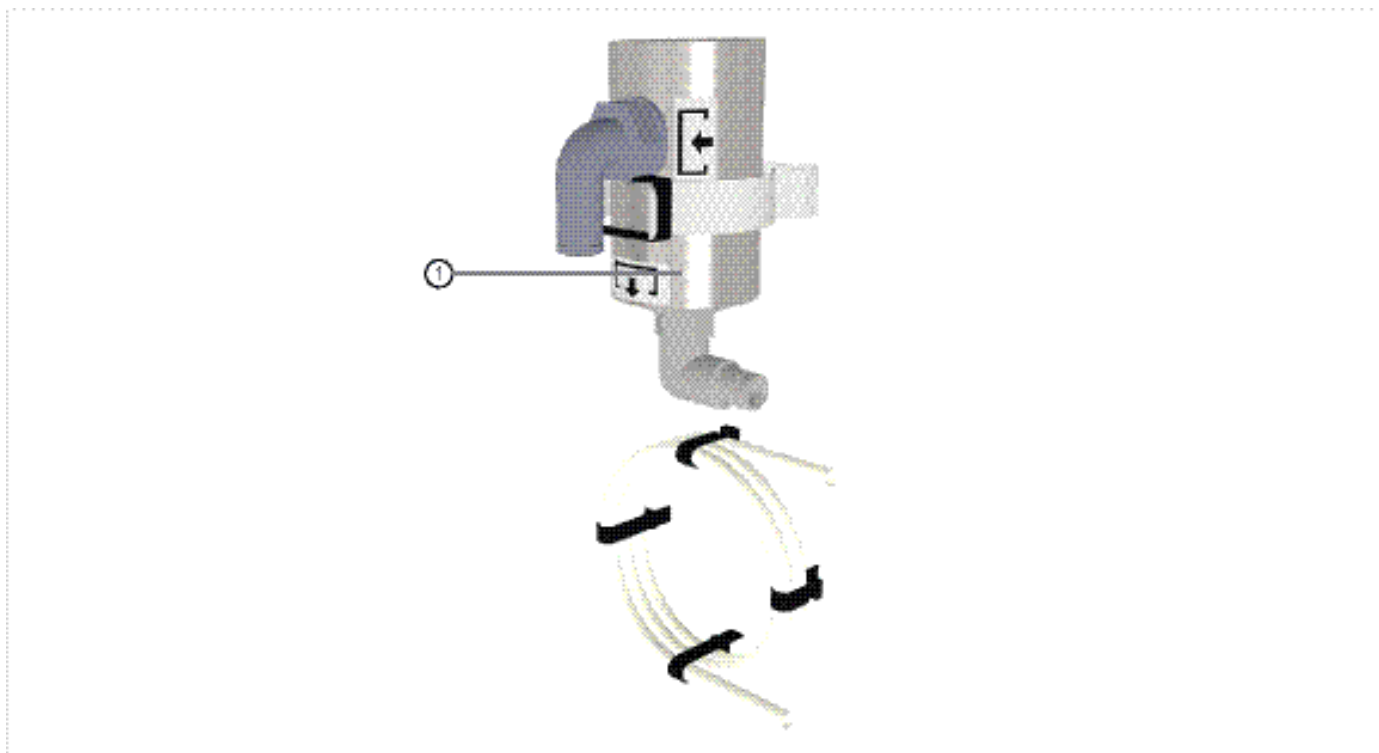
REFERENCE NO.	KIT NUMBER	DESCRIPTION	KIT QTY	COMMENTS
1	M12.FD.0001	Automatic Drain	1	-
2	M12.FD.0002	Automatic Drain - Multibox	1	-

BAS HL - REAR PLATE / FILTER ASSEMBLY



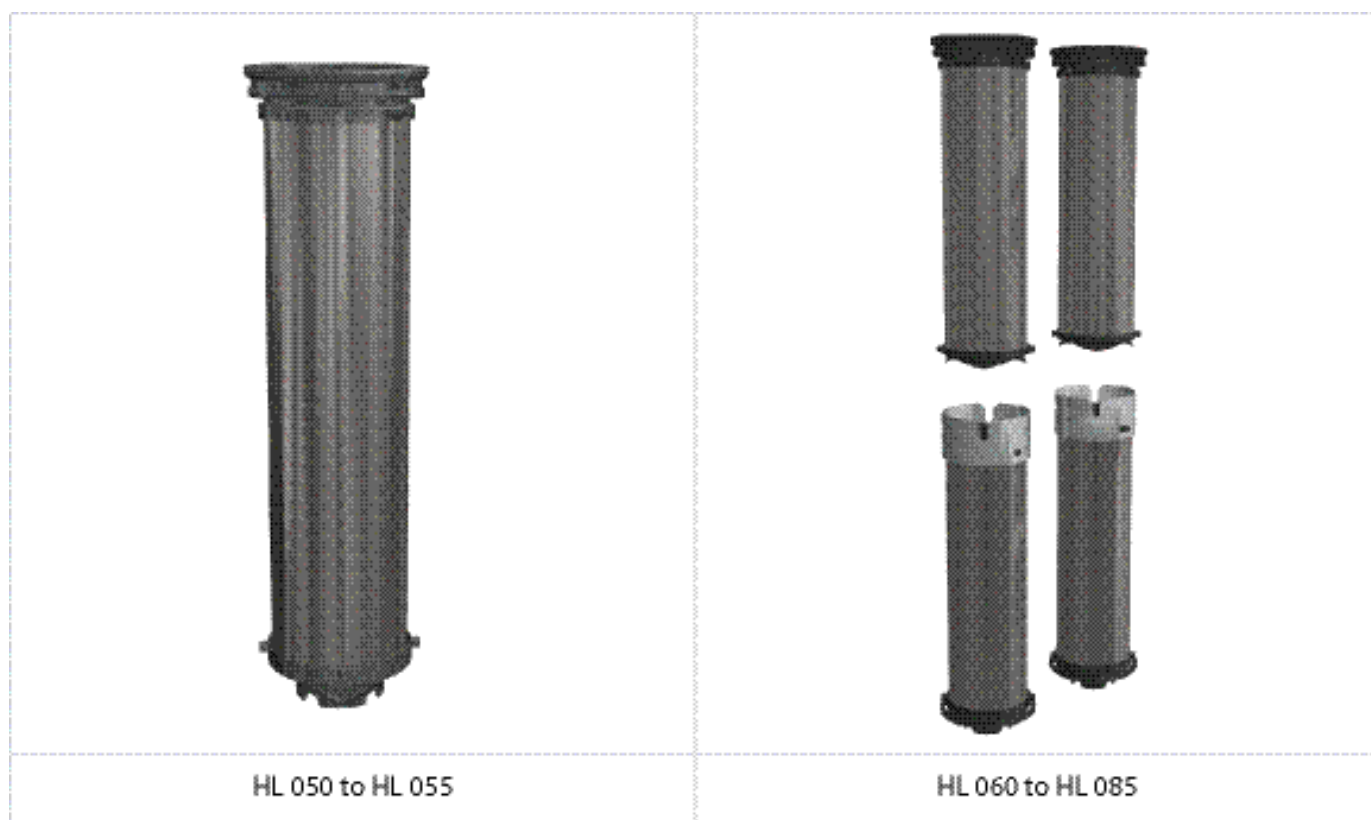
REFERENCE NO.	KIT NUMBER	DESCRIPTION	KIT QTY	COMMENTS
1	608730006	Kit: BAS HL Rear plate / filter assembly	1	-

BAS HL - PARKER DEWPOINT SENSOR



REFERENCE NO.	KIT NUMBER	DESCRIPTION	KIT QTY	COMMENTS
1	608730005	Kit: BAS HL PDS Sensor Housing	1	-

BAS HL 050 - 085 DESICCANT CARTRIDGE KITS



-20°C PDP / -40°C PDP dryers

DRYER MODEL	REQUIRED CARTRIDGE KIT	DESCRIPTION	ORDER QTY
HL 050	R454730151	Kit: Cartridge HL 050 -40 Single	2
HL 055	R454730152	Kit: Cartridge HL 055 -40 Single	2
HL 060	R454730153	Kit: Cartridge HL 060/075 -40 BTM	2
	R454730154	Kit: Cartridge HL 060/075 -40 TOP	2
HL 065	R454730155	Kit: Cartridge HL 065/080 -40 BTM	2
	R454730156	Kit: Cartridge HL 065/080 -40 TOP	2
HL 070	R454730157	Kit: Cartridge HL 070/085 -40 BTM	2
	R454730158	Kit: Cartridge HL 070/085 -40 TOP	2
HL 075	R454730153	Kit: Cartridge HL 060/075 -40 BTM	4
	R454730154	Kit: Cartridge HL 060/075 -40 TOP	4
HL 080	R454730155	Kit: Cartridge HL 065/080 -40 BTM	4
	R454730156	Kit: Cartridge HL 065/080 -40 TOP	4
HL 085	R454730157	Kit: Cartridge HL 070/085 -40 BTM	4
	R454730158	Kit: Cartridge HL 070/085 -40 TOP	4

-70°C PDP dryers

DRYER MODEL	REQUIRED CARTRIDGE KIT	DESCRIPTION	ORDER QTY
HL 050	R457730151	Kit: Cartridge HL 050 -70 Single	2
HL 055	R457730152	Kit: Cartridge HL 055 -70 Single	2
HL 060	R457730153	Kit: Cartridge HL 060/075 -70 BTM	2
	R457730154	Kit: Cartridge HL 060/075 -70 TOP	2
HL 065	R457730155	Kit: Cartridge HL 065/080 -70 BTM	2
	R457730156	Kit: Cartridge HL 065/080 -70 TOP	2
HL 070	R457730157	Kit: Cartridge HL 070/085 -70 BTM	2
	R457730158	Kit: Cartridge HL 070/085 -70 TOP	2
HL 075	R457730153	Kit: Cartridge HL 060/075 -70 BTM	4
	R457730154	Kit: Cartridge HL 060/075 -70 TOP	4
HL 080	R457730155	Kit: Cartridge HL 065/080 -70 BTM	4
	R457730156	Kit: Cartridge HL 065/080 -70 TOP	4
HL 085	R457730157	Kit: Cartridge HL 070/085 -70 BTM	4
	R457730158	Kit: Cartridge HL 070/085 -70 TOP	4

PARKER WORLDWIDE

AE – UAE, Dubai
Tel: +971 4 8127100
parker.me@parker.com

AR – ARGENTINA, Buenos Aires
Tel: +54 3327 44 4129

AT – AUSTRIA, Wiener Neustadt
Tel: +43 (0)2622 23501-0
parker.austria@parker.com

AT – EASTERN EUROPE, Wiener Neustadt
Tel: +43 (0)2622 23501 900
parker.easteurope@parker.com

AU – AUSTRALIA, Castle Hill
Tel: +61 (0)2-9634 7777

AZ – AZERBAIJAN, Baku
Tel: +994 50 2233 458
parker.azerbaijan@parker.com

BE/LU – BELGIUM, Nivelles
Tel: +32 (0)67 280 900
parker.belgium@parker.com

BR – BRAZIL, Cachoeirinha RS
Tel: +55 51 3470 9144

BY – BELARUS, MINSK
Tel: +375 17 209 9399
parker.belarus@parker.com

CA – CANADA, Milton, Ontario
Tel: +1 905 693 3000

CH – SWITZERLAND, Etoy
Tel: +41 (0)21 821 87 00
parker.switzerland@parker.com

CL – CHILE, Santiago
Tel: +56 2 623 1216

CN – CHINA, Shanghai
Tel: +86 21 2899 5000

CZ – CZECH REPUBLIC, Klecany
Tel: +420 284 083 111
parker.czechrepublic@parker.com

DE – GERMANY, Kaarst
Tel: +49 (0)2131 4016 0
parker.germany@parker.com

DK – DENMARK, Ballerup
Tel: +45 43 56 04 00
parker.denmark@parker.com

ES – SPAIN, Madrid
Tel: +34 902 330 001
parker.spain@parker.com

FI – FINLAND, Vantaa
Tel: +358 (0)20 753 2500
parker.fi nland@parker.com

FR – FRANCE, Contamine s/Arve
Tel: +33 (0)4 50 25 80 25
parker.france@parker.com

GR – GREECE, Athens
Tel: +30 210 933 6450
parker.greece@parker.com

HK – Hong Kong
Tel: +852 2428 8008

HU – HUNGARY, Budapest
Tel: +36 1 220 4155
parker.hungary@parker.com

IE – IRELAND, Dublin
Tel: +353 (0)1 466 6370
parker.ireland@parker.com

IN – INDIA, Mumbai
Tel: +91 22 6513 7081-85

IT – ITALY, Corsico (MI)
Tel: +39 02 45 19 21
parker.italy@parker.com

JP – JAPAN, Tokyo
Tel: +81 (0)3 6408 3901

KR – SOUTH KOREA, Seoul
Tel: +82 2 559 0400

KZ – KAZAKHSTAN, Almaty
Tel: +7 7272 505 800
parker.easteurope@parker.com

LV – LATVIA, Riga
Tel: +371 6 745 2601
parker.latvia@parker.com

MX – MEXICO, Apodaca
Tel: +52 81 8156 6000

MY – MALAYSIA, Shah Alam
Tel: +60 3 7849 0800

NL – The Netherlands, Oldenzaal
Tel: +31 (0)541 585 000
parker.nl@parker.com

NO – NORWAY, Asker
Tel: +47 66 75 34 00
parker.norway@parker.com

NZ – NEW ZEALAND, Mt Wellington
Tel: +64 9 574 1744

PL – POLAND, Warsaw
Tel: +48 (0)22 573 24 00
parker.poland@parker.com

PT – PORTUGAL, Leca da Palmeira
Tel: +351 22 999 7360
parker.portugal@parker.com

RO – ROMANIA, Bucharest
Tel: +40 21 252 1382
parker.romania@parker.com

RU – RUSSIA, Moscow
Tel: +7 495 645-2156
parker.russia@parker.com

SE – SWEDEN, Spånga
Tel: +46 (0)8 59 79 50 00
parker.sweden@parker.com

SG – Singapore
Tel: +65 6887 6300

SK – SLOVAKIA, Banská Bystrica
Tel: +421 484 162 252
parker.slovakia@parker.com

SL – SLOVENIA, Novo Mesto
Tel: +386 7 337 6650
parker.slovenia@parker.com

TH – THAILAND, Bangkok
Tel: +662 717 8140

TR – TURKEY, Istanbul
Tel: +90 216 4997081
parker.turkey@parker.com

TW – TAIWAN, Taipei
Tel: +886 2 2298 8987

UA – UKRAINE, Kiev
Tel +380 44 494 2731
parker.ukraine@parker.com

UK – UNITED KINGDOM, Warwick
Tel: +44 (0)1926 317 878
parker.uk@parker.com

US – USA, Cleveland
Tel: +1 216 896 3000

VE – VENEZUELA, Caracas
Tel: +58 212 238 5422

ZA – SOUTH AFRICA, Kempton Park
Tel: +27 (0)11 961 0700
parker.southafrica@parker.com

European Product Information Centre

Free phone: 00 800 27 27 5374

(from AT, BE, CH, CZ, DE, EE, ES, FI, FR, IE, IL, IS, IT, LU, MT, NL, NO, PT, SE, SK, UK)

PARKER HANNIFIN MANUFACTURING LIMITED

Gas Separation and Filtration Division EMEA
Dukesway, Team Valley Trading Est
Gateshead, Tyne and Wear
England NE11 0PZ

Tel: +44 (0) 191 402 9000

Fax: +44 (0) 191 482 6296

www.parker.com/gsf

