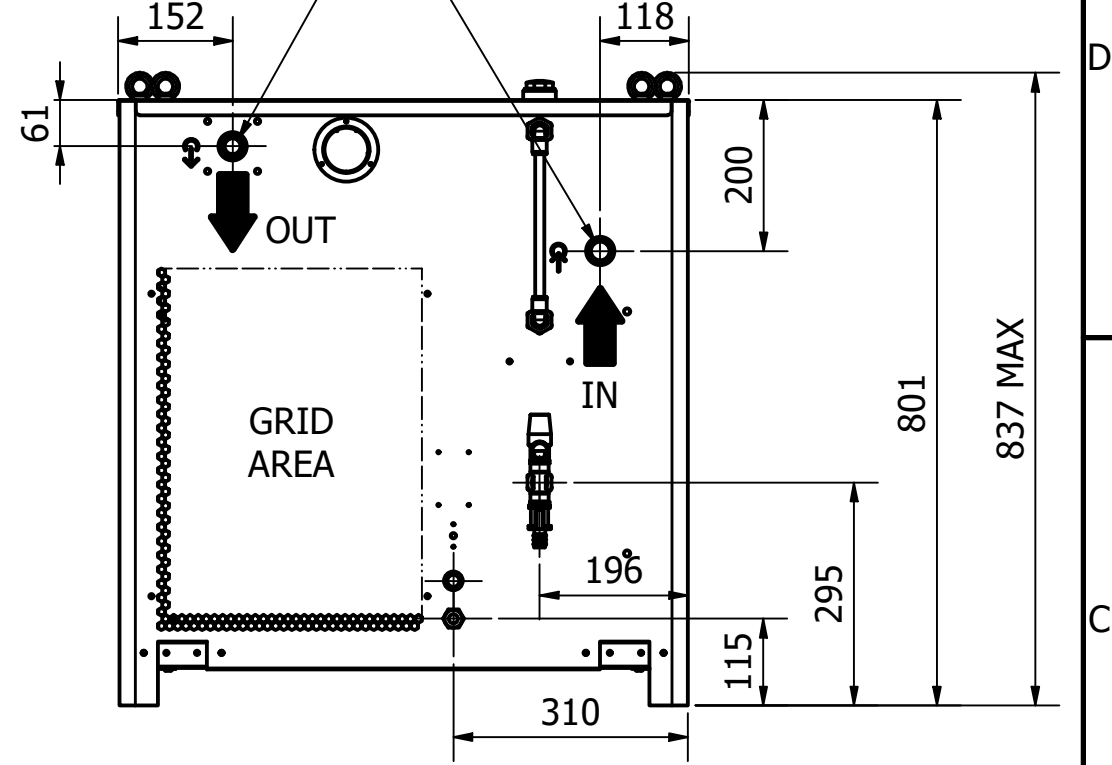
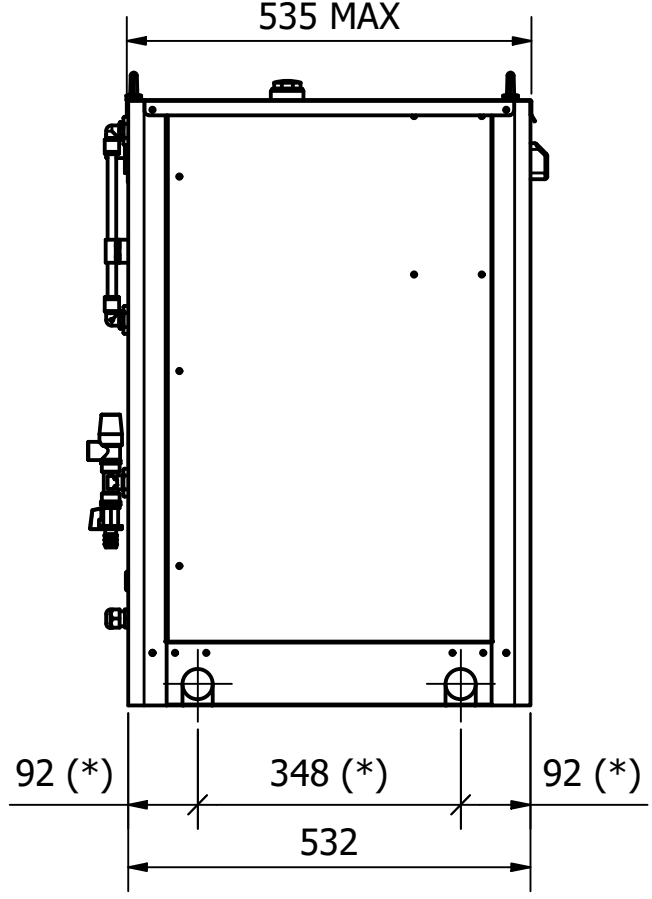
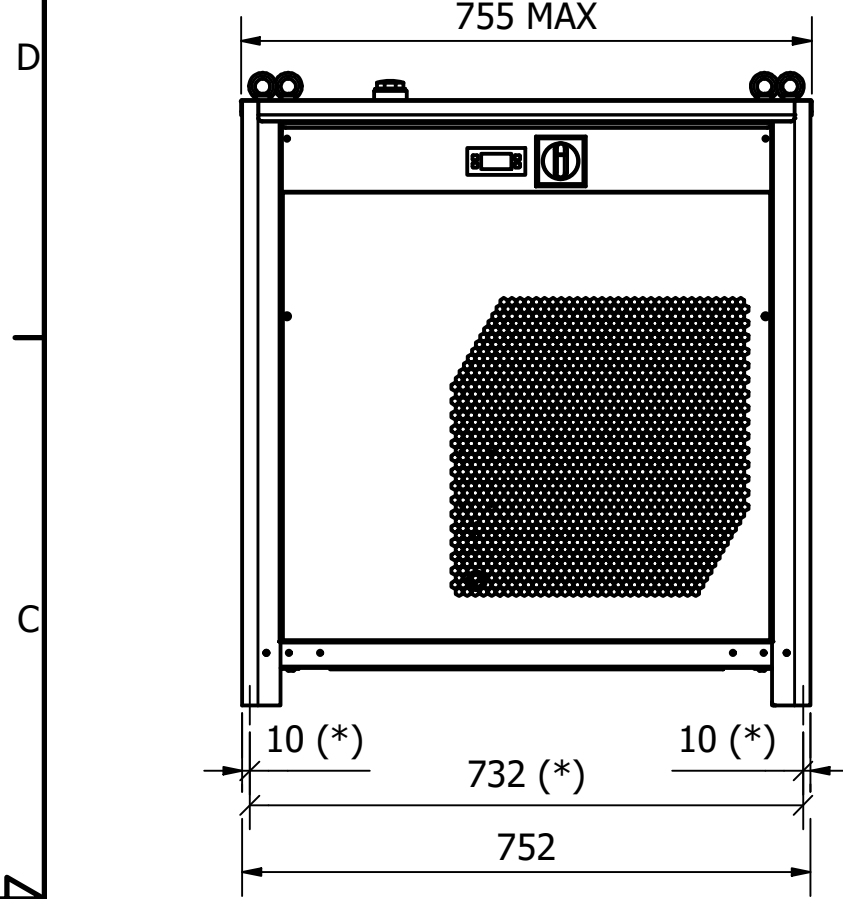
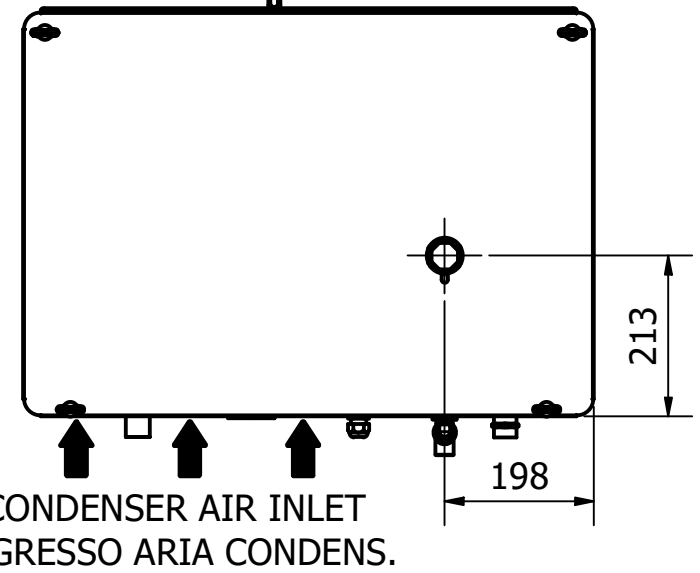


| REV. | DESCRIPTION        | DATE       | AUTHOR  | APPROVED  |
|------|--------------------|------------|---------|-----------|
| A    | SAFETY VALVE ADDED | 30/04/2024 | M.BENIN | M.PRENDIN |

WATER CONNECTION 3/4" BSP-F  
 ATTACCHI ACQUA 3/4" BSP-F  
 60HZ VERSION: 3/4" NPT-F WITH ADAPTERS



CONDENSER AIR OUTLET  
 USCITA ARIA CONDENS.

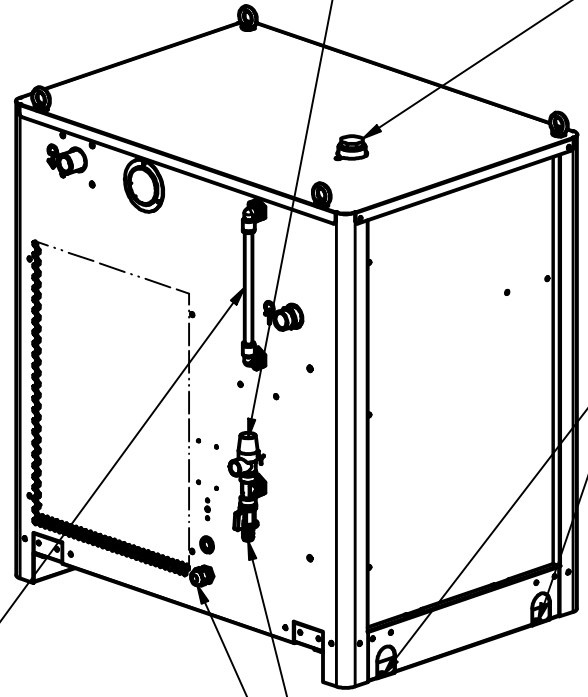
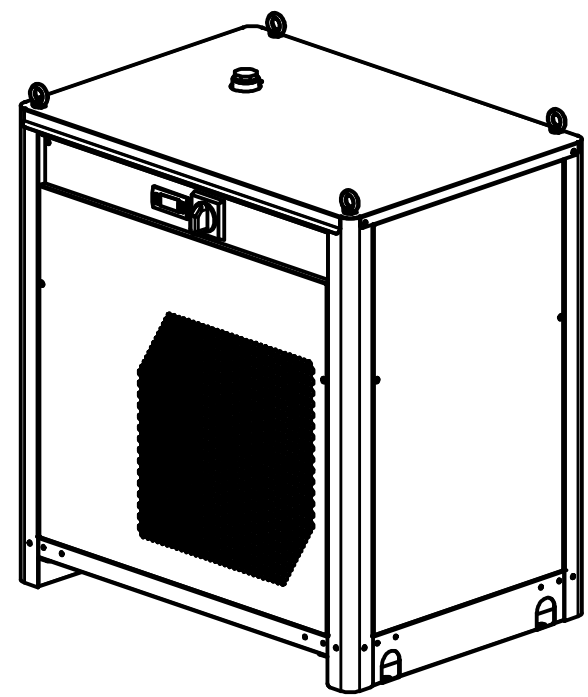


SAFETY VALVE FOR CLOSED CIRCUIT VERSION  
 VALVOLA DI SICUREZZA PER VERSIONE A CIRCUITO CHIUSO

WATER CHARGE FOR OPEN CIRCUIT VERSION  
 CARICO ACQUA PER VERSIONE A CIRCUITO APERTO

BLEED VALVE FOR CLOSED CIRCUIT VERSION  
 VALVOLA DI SFIATO PER VERSIONE A CIRCUITO CHIUSO

(\*) N°4 x Ø12  
 BASE FIXING HOLES POSITION  
 FORI FISSAGGIO BASE



WATER LEVEL INDICATOR  
 FOR OPEN CIRCUIT VERSION

ELECTR. SUPPLY  
 CABLE INLET

CIRCUIT WATER DISCHARGE  
 SCARICO ACQUA CIRCUITO

INDICATORE LIVELLO ACQUA  
 PER VERSIONE A CIRCUITO APERTO

INGRESSO CAVO  
 ALIM. ELETTRICA

|  |  |   |                                  |
|--|--|---|----------------------------------|
| <b>Parker</b> Parker Hannifin Manufacturing S.r.l.                               |  | Gas Separation and Filtration Division EMEA - Strada Zona Industriale, 4- 35020 - S. Angelo di Piove (PD) - ITALY |                                  |
| TOLERANCE<br>UNI EN 22768 - mK<br>UNI EN ISO 13920 - AE<br>DIN 28005<br>ISO 1302 | ECO<br><b>ECO-XXXXXXXX</b><br>Checked/Approved by ENOVIA process | DESCRIPTION<br>OVERALL DIMENSIONS ICEP003-005E<br>DIMENSIONI INGOMBRO ICEP003-005E                                |                                  |
| ISO 128-30 Method 1  | AUTHOR<br>MB238398   | DATE<br>05/04/2023  | DRAWING NO.<br><b>BMA005IN0A</b> |
| UNITS<br>MM  | SCALE<br>1:10  | MASS<br>kg  | REV.<br><b>A</b>                 |
| MATERIAL   |  |   | JDE Cod. Art. (Optional)         |
|  |  |   | FORMAT<br>A3                     |
|  |  |   | SHEET<br>1 / 1                   |

THIS DOCUMENT CONTAINS INFORMATION THAT IS CONFIDENTIAL AND PROPRIETARY TO PARKER HANNIFIN MANUFACTURING - GAS SEPARATION AND FILTRATION DIVISION EMEA. THIS DOCUMENT IS FURNISHED ON THE UNDERSTANDING THAT THE DOCUMENT AND THE INFORMATION IT CONTAINS WILL NOT BE COPIED OR DISCLOSED TO OTHERS OR USED FOR ANY PURPOSE OTHER THAN CONDUCTING BUSINESS WITH PARKER, AND WILL BE RETURNED AND ALL FURTHER USE DISCONTINUED UPON REQUEST BY PARKER. THE RECIPIENT OF THIS DOCUMENT THROUGH ITS OWN ANALYSIS AND TESTING IS SOLELY RESPONSIBLE FOR MAKING THE FINAL SELECTION OF THE APPLICABLE SYSTEM AND COMPONENTS AND ASSURING THAT ALL PERFORMANCE, ENDURANCE, MAINTENANCE, SAFETY AND WARNING REQUIREMENTS OF THE APPLICATION ARE MET. COPYRIGHT PARKER, YEAR OF COPYRIGHT IS FIRST YEAR INDICATED ON THIS DOCUMENT. ALL RIGHTS RESERVED. EMEA is a registered trademark owned by Parker Hannifin S.p.A.