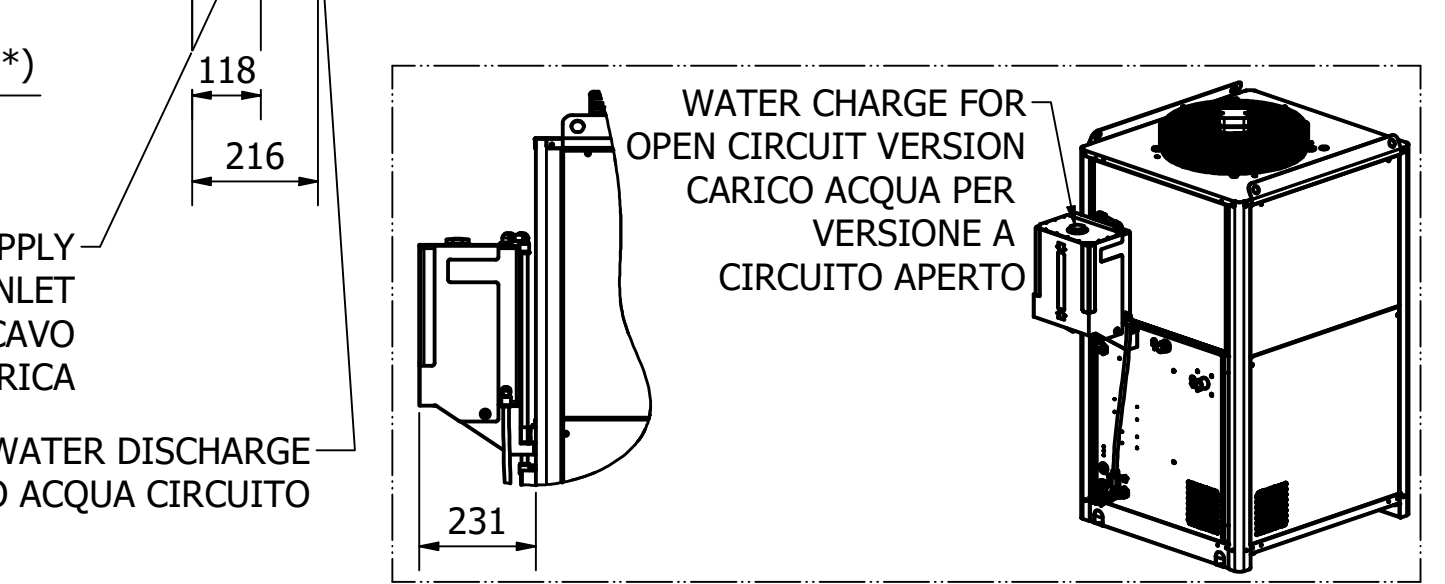
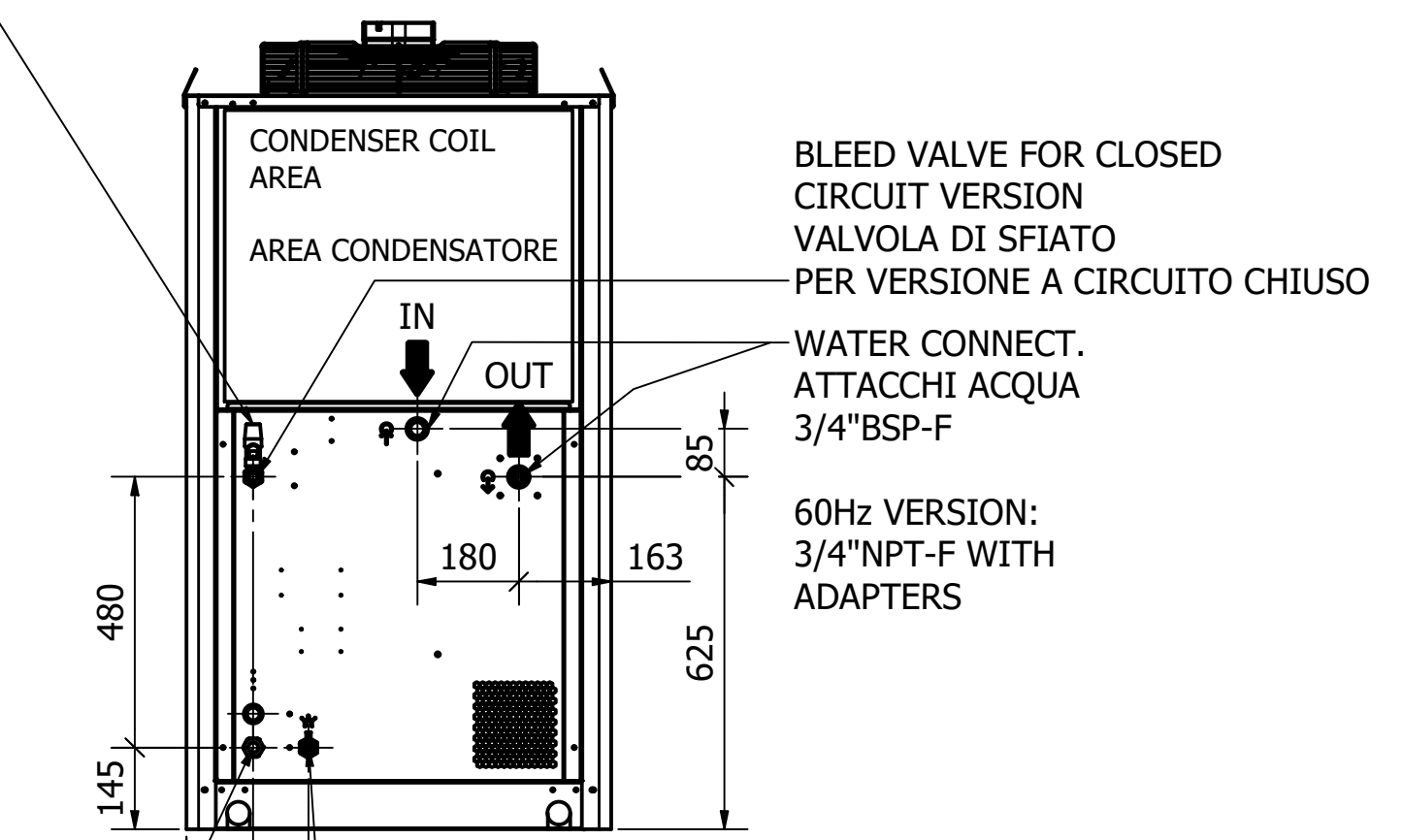


REV.	DESCRIPTION	DATE	AUTHOR	APPROVED
A	SAFETY VALVE ADDED	30/04/2024	M.BENIN	M.PRENDIN

SAFETY VALVE FOR CLOSED CIRCUIT VERSION
VALVOLA DI SICUREZZA PER VERSIONE A CIRCUITO CHIUSO



Parker		Parker Hannifin Manufacturing S.r.l.		
Gas Separation and Filtration Division EMEA - Strada Zona Industriale,4- 35020 - S. Angelo di Piove (PD) -ITALY				
TOLERANCE	ECO	DESCRIPTION		
UNI EN 22768 - mK UNI EN ISO 13920 - AE DIN 28005 ISO 1302	ECO-XXXXXXXX	OVERALL DIMENSIONS ICEP 008-011-015E		
ISO 128-30 Method 1	Checked/Approved by ENOVIA process	DIMENSIONI INGOMBRO ICEP 008-011-015E		
	AUTHOR: MB238398	DATE: 05/04/2023		
	SCALE: 1:13	MASS: kg		
UNITS: MM	MATERIAL:	JDE Cod. Art. (Optional)	FORMAT: A3	SHEET: 1 / 1

- 1- WATER MANOMETER
- 2- LOW PRESSURE REFRIGERANT MANOMETER
- 3- HIGH PRESSURE REFRIGERANT MANOMETER

