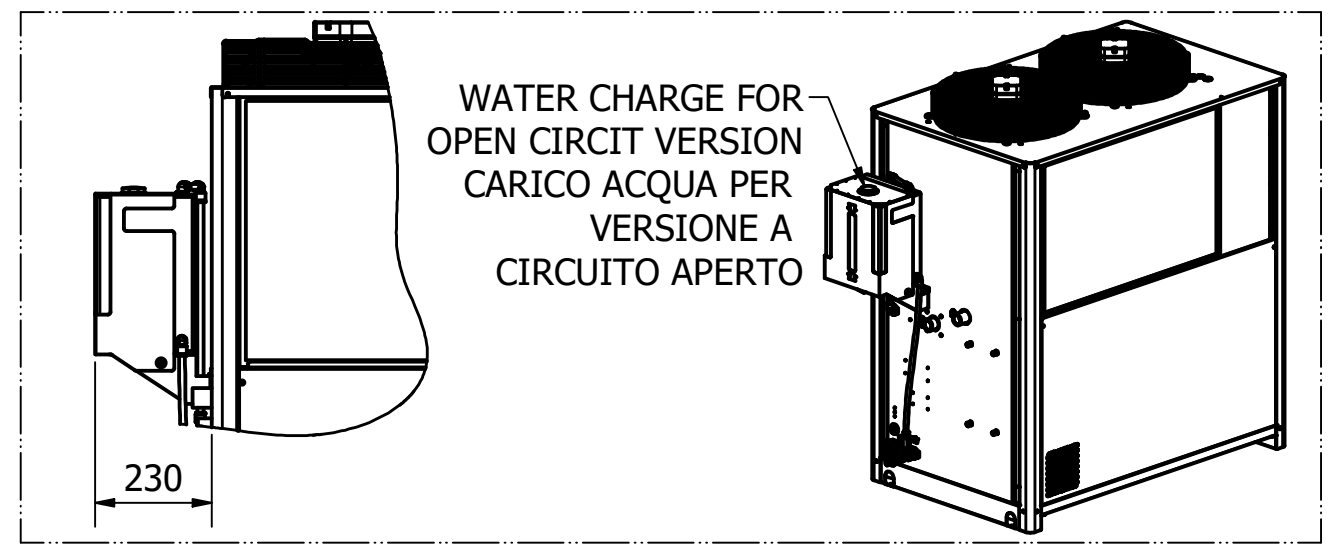
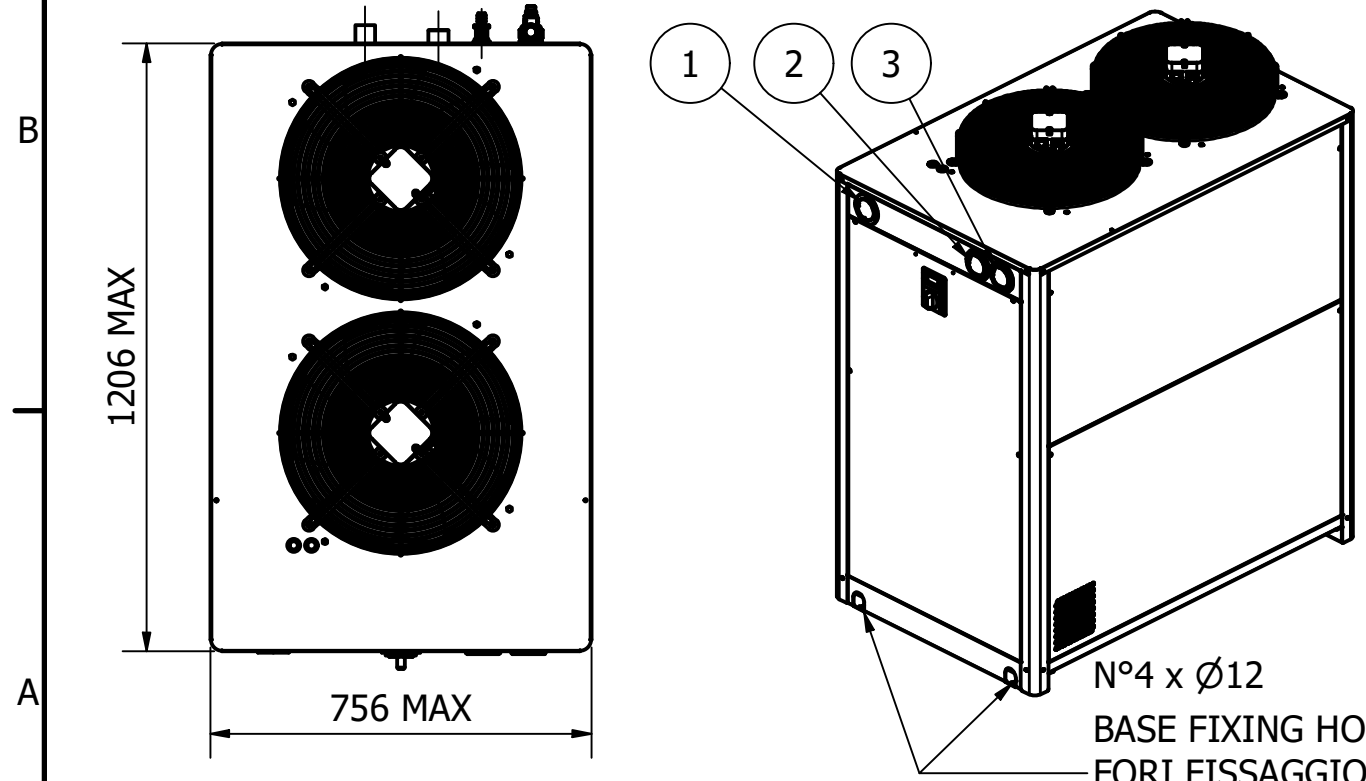


- 1- WATER MANOMETER
- 2- LOW PRESSURE REFRIGERANT MANOMETER
- 3- HIGH PRESSURE REFRIGERANT MANOMETER



Parker		Parker Hannifin Manufacturing S.r.l.	
Gas Separation and Filtration Division EMEA - Strada Zona Industriale, 4- 35020 - S. Angelo di Piove (PD) - ITALY			
TOLERANCE UNI EN 22768 - mK UNI EN ISO 13920 - AE DIN 28005 ISO 1302	ECO ECO-XXXXXXXX Checked/Approved by ENOVIA process	DESCRIPTION OVERALL DIMEN. ICEP 022E DIMENSIONI INGOMBRO ICEP 022E	
ISO 128-30 Method 1	AUTHOR MB238398	DATE 05/04/2023	DRAWING NO. BMA022IN0A
UNITS MM	SCALE 1:15	MASS kg	REV. A
MATERIAL			JDE Cod. Art. (Optional)
			FORMAT A3
			SHEET 1 / 1

REV.	DESCRIPTION	DATE	AUTHOR	APPROVED
A	SAFETY VALVE ADDED	30/04/2024	M.BENIN	M.PRENDIN

THIS DOCUMENT CONTAINS INFORMATION THAT IS CONFIDENTIAL AND PROPRIETARY TO PARKER HANIFFIN MANUFACTURING - GAS SEPARATION AND FILTRATION DIVISION EMEA. THIS DOCUMENT IS FURNISHED ON THE UNDERSTANDING THAT THE DOCUMENT AND THE INFORMATION IT CONTAINS WILL NOT BE COPIED OR DISCLOSED TO OTHERS OR USED FOR ANY PURPOSE OTHER THAN CONDUCTING BUSINESS WITH PARKER, AND WILL BE RETURNED AND ALL FURTHER USE DISCONTINUED UPON REQUEST BY PARKER. THE RECIPIENT OF THIS DOCUMENT THROUGH ITS OWN ANALYSIS AND TESTING IS SOLELY RESPONSIBLE FOR MAKING THE FINAL SELECTION OF THE APPLICABLE SYSTEM AND COMPONENTS AND ASSURING THAT ALL PERFORMANCE, ENDURANCE, MAINTENANCE, SAFETY AND WARNING REQUIREMENTS OF THE APPLICATION ARE MET. COPYRIGHT PARKER, YEAR OF COPYRIGHT IS FIRST YEAR INDICATED ON THIS DOCUMENT. ALL RIGHTS RESERVED. EMEA is a registered trademark owned by United HRODS S.p.A.