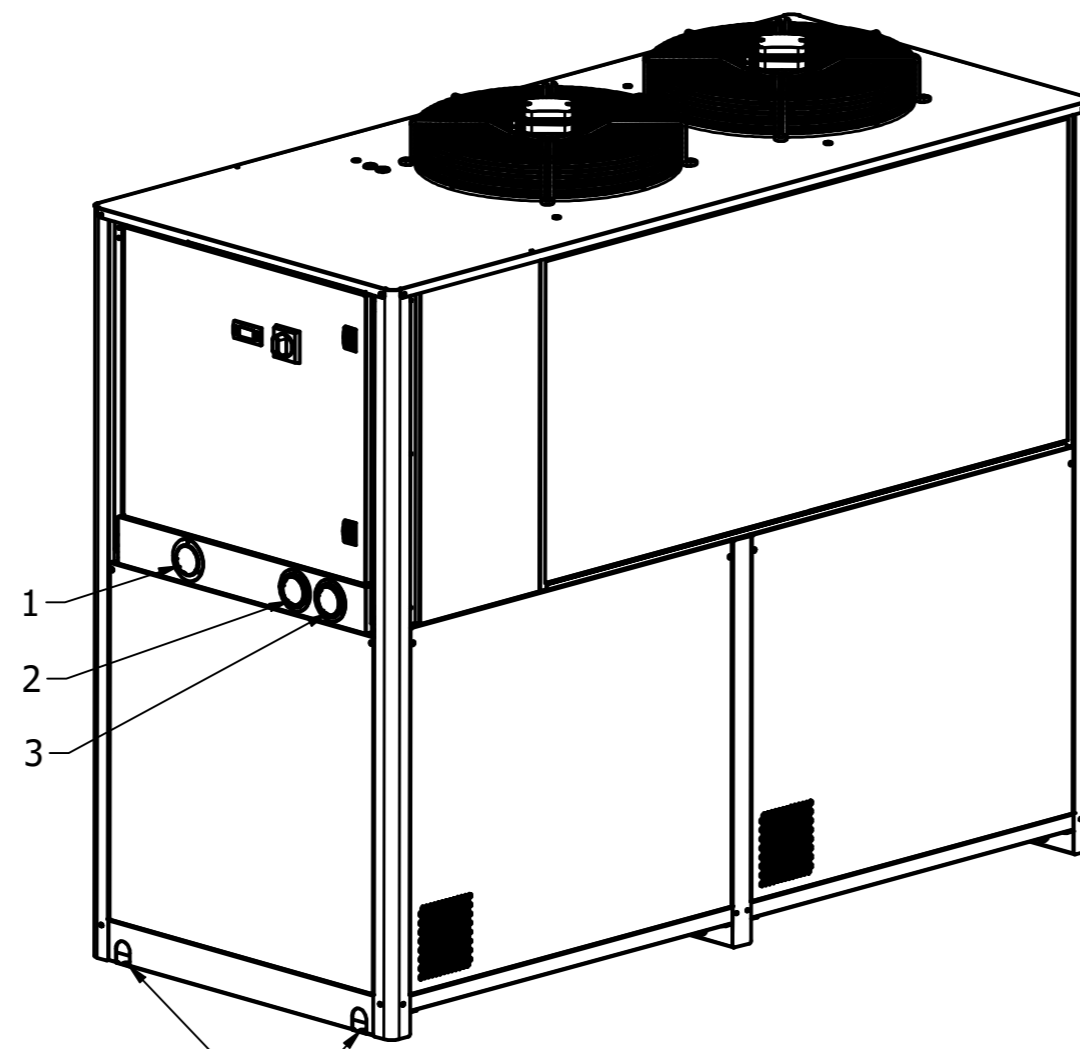
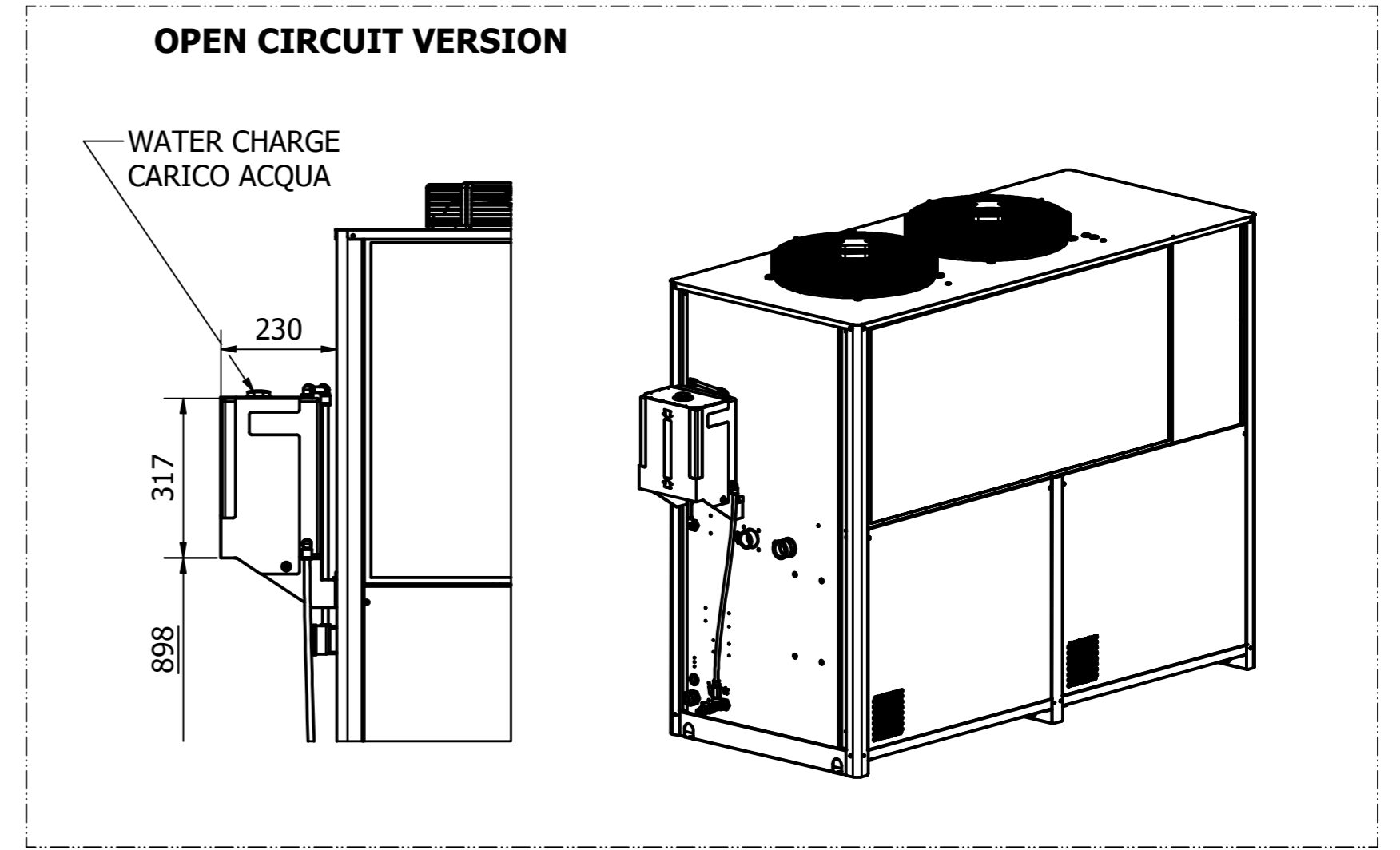


- 1-WATER PRESSURE GAUGE
- 2-LOW REFRIGERANT PRESSURE GAUGE
- 3-HIGH REFRIGERANT PRESSURE GAUGE



(*) No.4 Ø12 HOLES
BASE FIXING HOLES POSITION
FORI FISSAGGIO BASE



REV.	DESCRIPTION	DATE	AUTHOR	APPROVED
A	SAFETY VALVE ADDED	30/04/2024	M.BENIN	M.PRENDIN

Parker		Parker Hannifin Manufacturing S.r.l.	
TOLERANCE UNI EN 22768 - mK UNI EN ISO 13920 - AE DIN 28005 ISO 1302		DESCRIPTION ECO-XXXXXXX Checked/Approved by ENOVIA process	
ISO 128-30 Method 1	AUTHOR MB238398	DATE 06/04/2023	OVERALL DIMENSION ICEP 034/065E STD DIMENSIONI INGOMBRO ICEP 034/065E STD
SCALE 1:12	MATERIAL MM	MASS kg	DRAWING NO. BMA065IN0A
UNITS	JDE Cod. Art. (Optional)		FORMAT SHEET A2 1 / 1