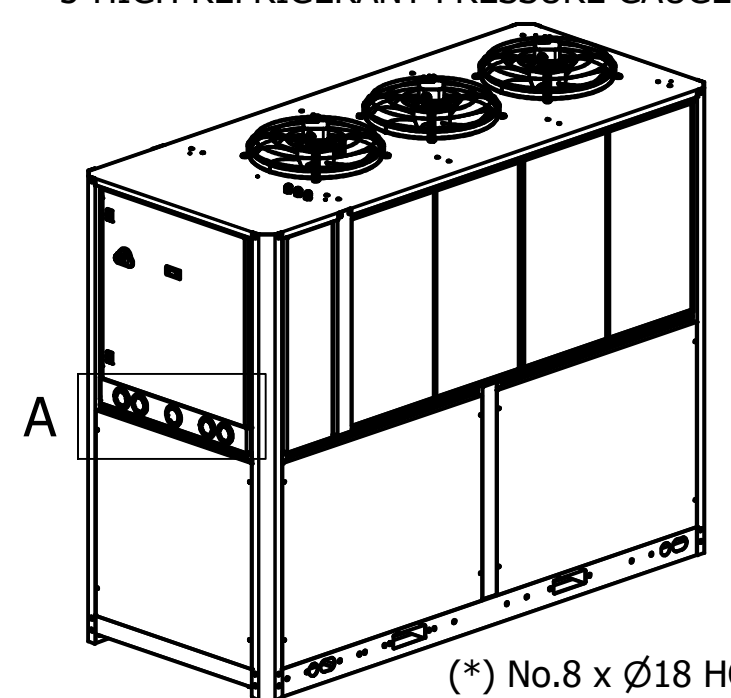


- 1-WATER PRESSURE GAUGE
- 2-LOW REFRIGERANT PRESSURE GAUGE
- 3-HIGH REFRIGERANT PRESSURE GAUGE



(* No.8 x Ø18 HOLES
BASE FIXING HOLES POSITION
FORI FISSAGGIO BASE

Parker		Parker Hannifin Manufacturing S.r.l.	
Gas Separation and Filtration Division EMEA - Strada Zona Industriale,4- 35020 - S. Angelo di Piove (PD) - ITALY			
TOLERANCE	ECO	DESCRIPTION	
UNI EN 22768 - mK UNI EN ISO 13920 - AE DIN 28005 ISO 1302	ECO-XXXXXXX	OVERALL DIMENS. ICEP 080-100-120E	
ISO 128-30 Method 1	Checked/Approved by ENOVIA process	DIMES. INGOMBRO ICEP 080-100-120E	
	AUTHOR: MB238398	DATE: 15/01/2024	DRAWING NO. H39AP0120L001
	SCALE: 1:22	MASS: kg	REV. A
UNITS: MM	MATERIAL:	JDE Cod. Art. (Optional)	FORMAT: A3 SHEET: 1 / 1

REV.	DESCRIPTION	DATE	AUTHOR	APPROVED
A	SAFETY VALVE ADDED	30/04/2024	M.BENIN	M.PRENDIN

THIS DOCUMENT CONTAINS INFORMATION THAT IS CONFIDENTIAL AND PROPRIETARY TO PARKER HANIFFIN MANUFACTURING - GAS SEPARATION AND FILTRATION DIVISION EMEA. THIS DOCUMENT IS FURNISHED ON THE UNDERSTANDING THAT THE DOCUMENT AND THE INFORMATION IT CONTAINS WILL NOT BE COPIED OR DISCLOSED TO OTHERS OR USED FOR ANY PURPOSE OTHER THAN CONDUCTING BUSINESS WITH PARKER, AND WILL BE RETURNED AND ALL FURTHER USE DISCONTINUED UPON REQUEST BY PARKER. THE RECIPIENT OF THIS DOCUMENT THROUGH ITS OWN ANALYSIS AND TESTING IS SOLELY RESPONSIBLE FOR MAKING THE FINAL SELECTION OF THE APPLICABLE SYSTEM AND COMPONENTS AND ASSURING THAT ALL PERFORMANCE, ENDURANCE, MAINTENANCE, SAFETY AND WARNING REQUIREMENTS OF THE APPLICATION ARE MET. COPYRIGHT PARKER, YEAR OF COPYRIGHT IS FIRST YEAR INDICATED ON THIS DOCUMENT. ALL RIGHTS RESERVED. EMEA is a registered trademark owned by Parker Hannifin S.p.A.