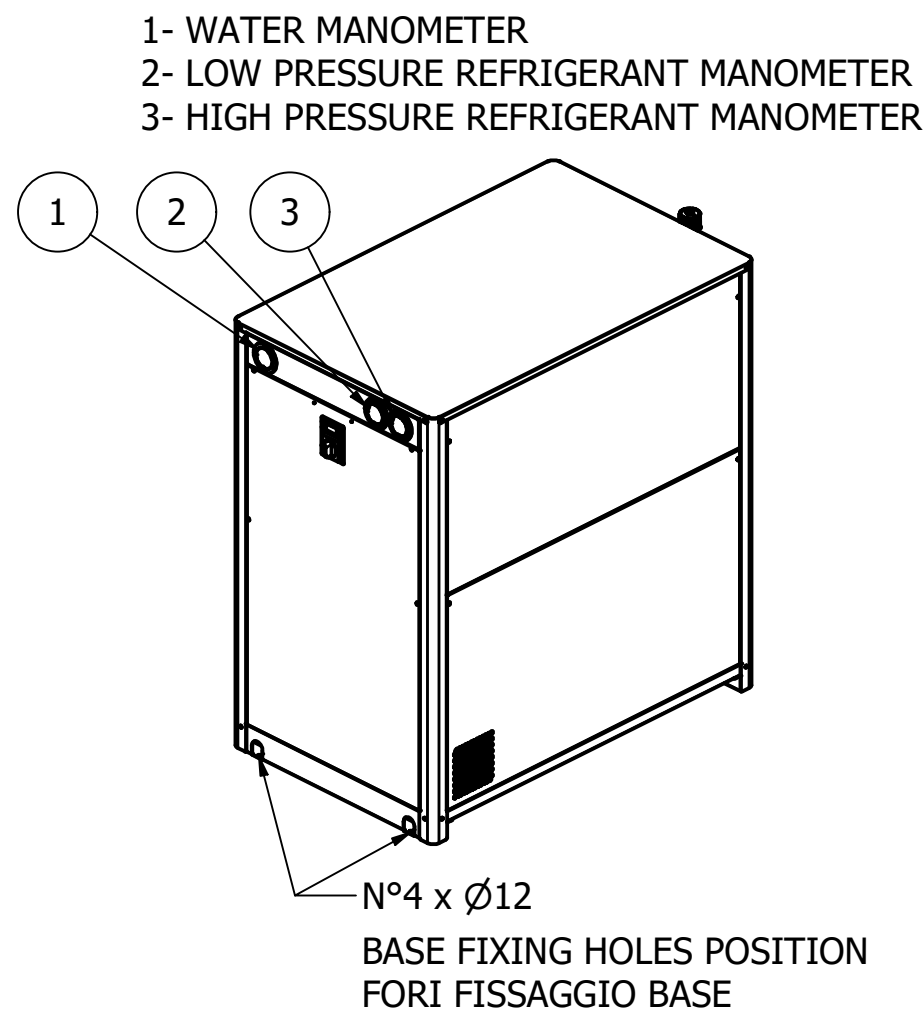
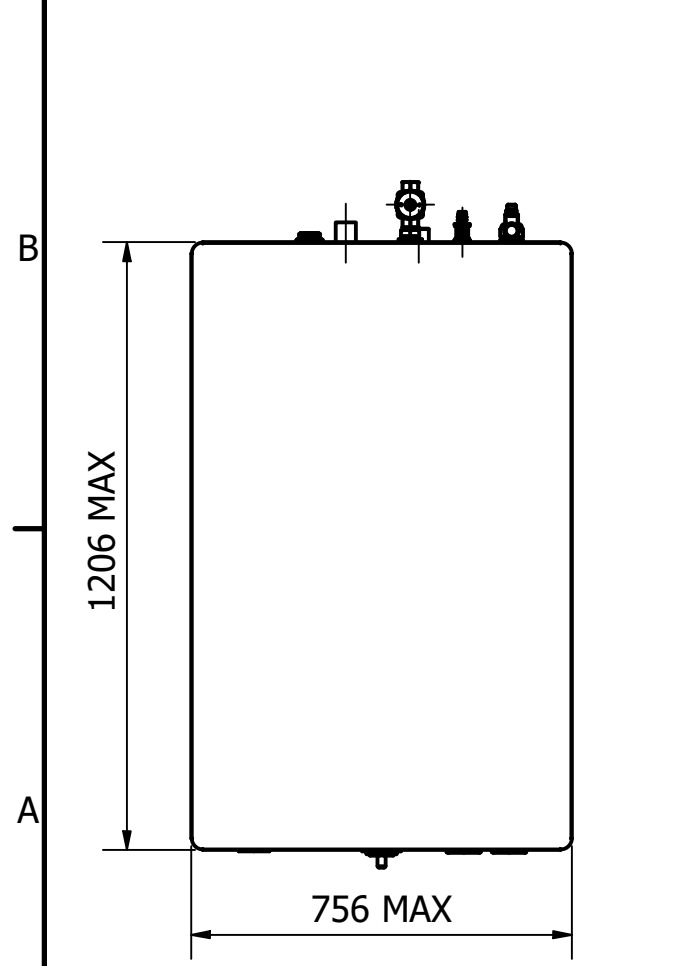
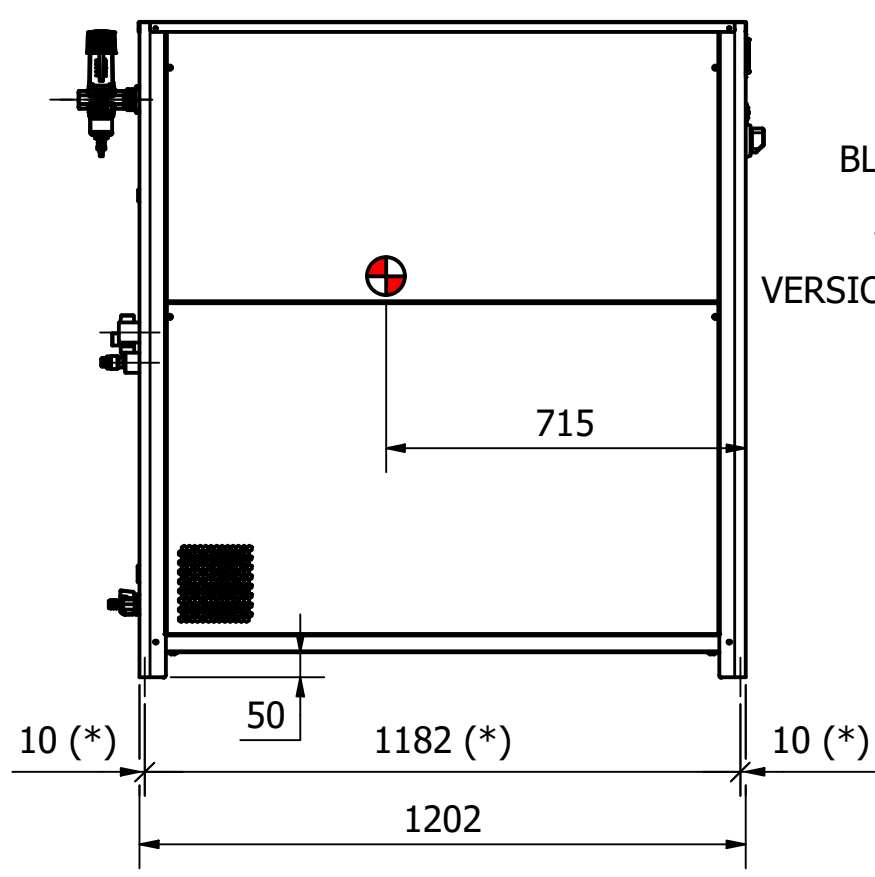
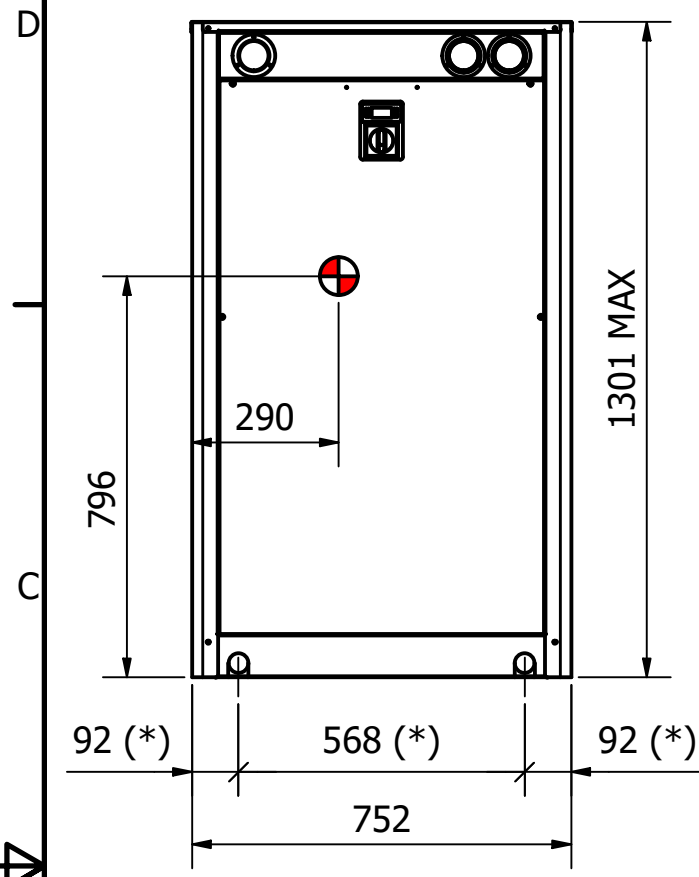


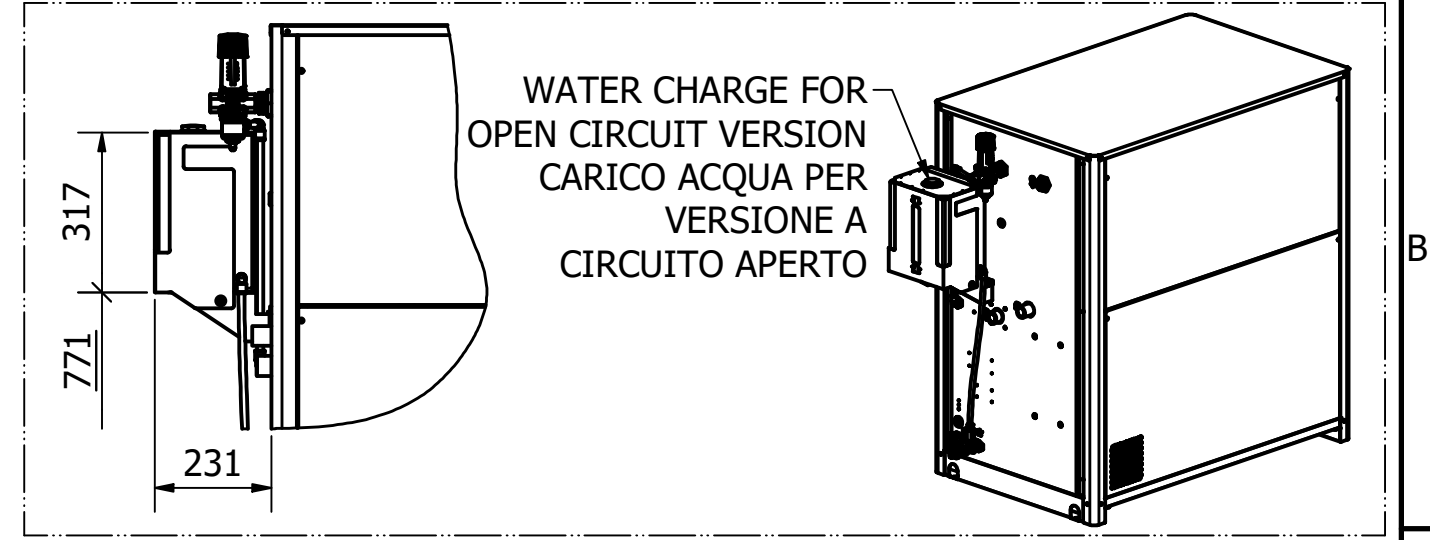
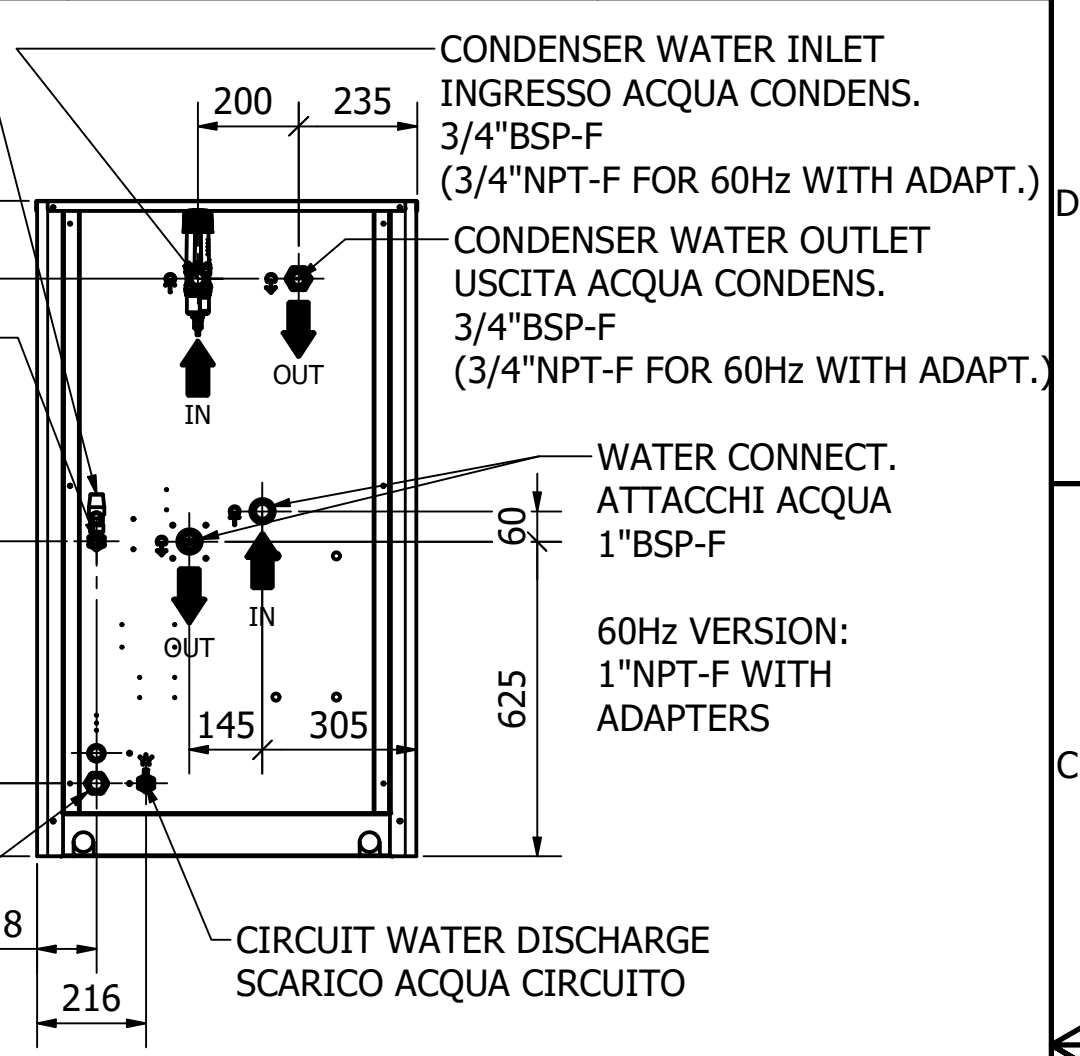
REV.	DESCRIPTION	DATE	AUTHOR	APPROVED
A	SAFETY VALVE ADDED	30/04/2024	M.BENIN	M.PRENDIN



SAFETY VALVE FOR CLOSED CIRCUIT VERSION
VALVOLA DI SICUREZZA PER VERSIONE A CIRCUITO CHIUSO

BLEED VALVE FOR CLOSED CIRCUIT VERSION
VALVOLA DI SFIATO PER VERSIONE A CIRCUITO CHIUSO

ELECTR.SUPPLY CABLE INLET
INGRESSO CAVO ALIM.ELETTRICA



Parker		Parker Hannifin Manufacturing S.r.l.	
TOLERANCE		DESCRIPTION	
UNI EN 22768 - mK UNI EN ISO 13920 - AE DIN 28005 ISO 1302	ECO ECO-XXXXXXXX Checked/Approved by ENOVIA process	OVERALL DIMEN.ICEP 022-027E WATER COND. DIMENSIONI INGOMBRO ICEP 022-027E COND.ACQUA	
ISO 128-30 Method 1	AUTHOR: MB238398 DATE: 20/03/2024	DRAWING NO.	REV.
	SCALE: 1:15 MASS: kg	BMA027IN1W	A
UNITS: MM	MATERIAL:	JDE Cod. Art. (Optional)	FORMAT: A3 SHEET: 1 / 1

THIS DOCUMENT CONTAINS INFORMATION THAT IS CONFIDENTIAL AND PROPRIETARY TO PARKER HANIFFIN MANUFACTURING - GAS SEPARATION AND FILTRATION DIVISION EMEA. THIS DOCUMENT IS FURNISHED ON THE UNDERSTANDING THAT THE DOCUMENT AND THE INFORMATION IT CONTAINS WILL NOT BE COPIED OR DISCLOSED TO OTHERS OR USED FOR ANY PURPOSE OTHER THAN CONDUCTING BUSINESS WITH PARKER, AND WILL BE RETURNED AND ALL FURTHER USE DISCONTINUED UPON REQUEST BY PARKER. THE RECIPIENT OF THIS DOCUMENT THROUGH ITS OWN ANALYSIS AND TESTING IS SOLELY RESPONSIBLE FOR MAKING THE FINAL SELECTION OF THE APPLICABLE SYSTEM AND COMPONENTS AND ASSURING THAT ALL PERFORMANCE, ENDURANCE, MAINTENANCE, SAFETY AND WARNING REQUIREMENTS OF THE APPLICATION ARE MET. COPYRIGHT PARKER, YEAR OF COPYRIGHT IS FIRST YEAR INDICATED ON THIS DOCUMENT. ALL RIGHTS RESERVED. EMEA is a registered trademark owned by Parker Hannifin S.p.A.