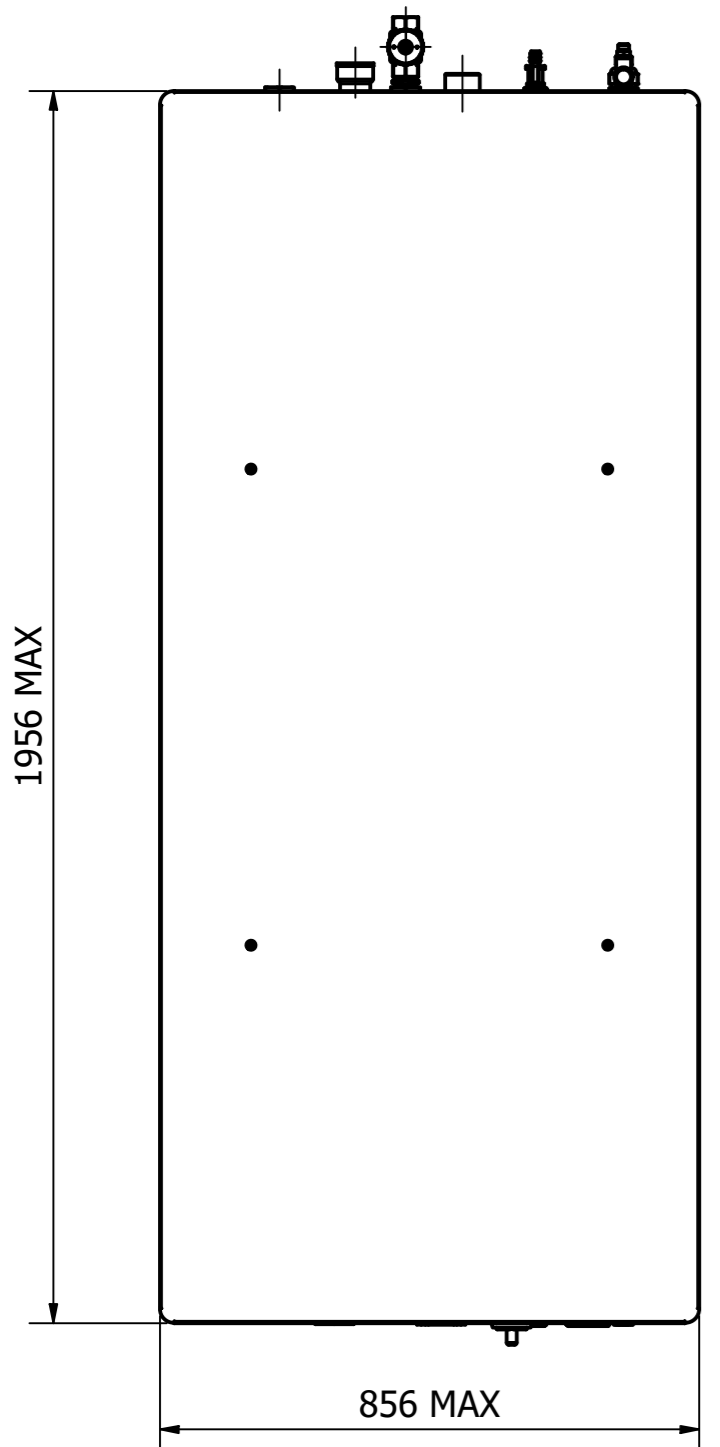
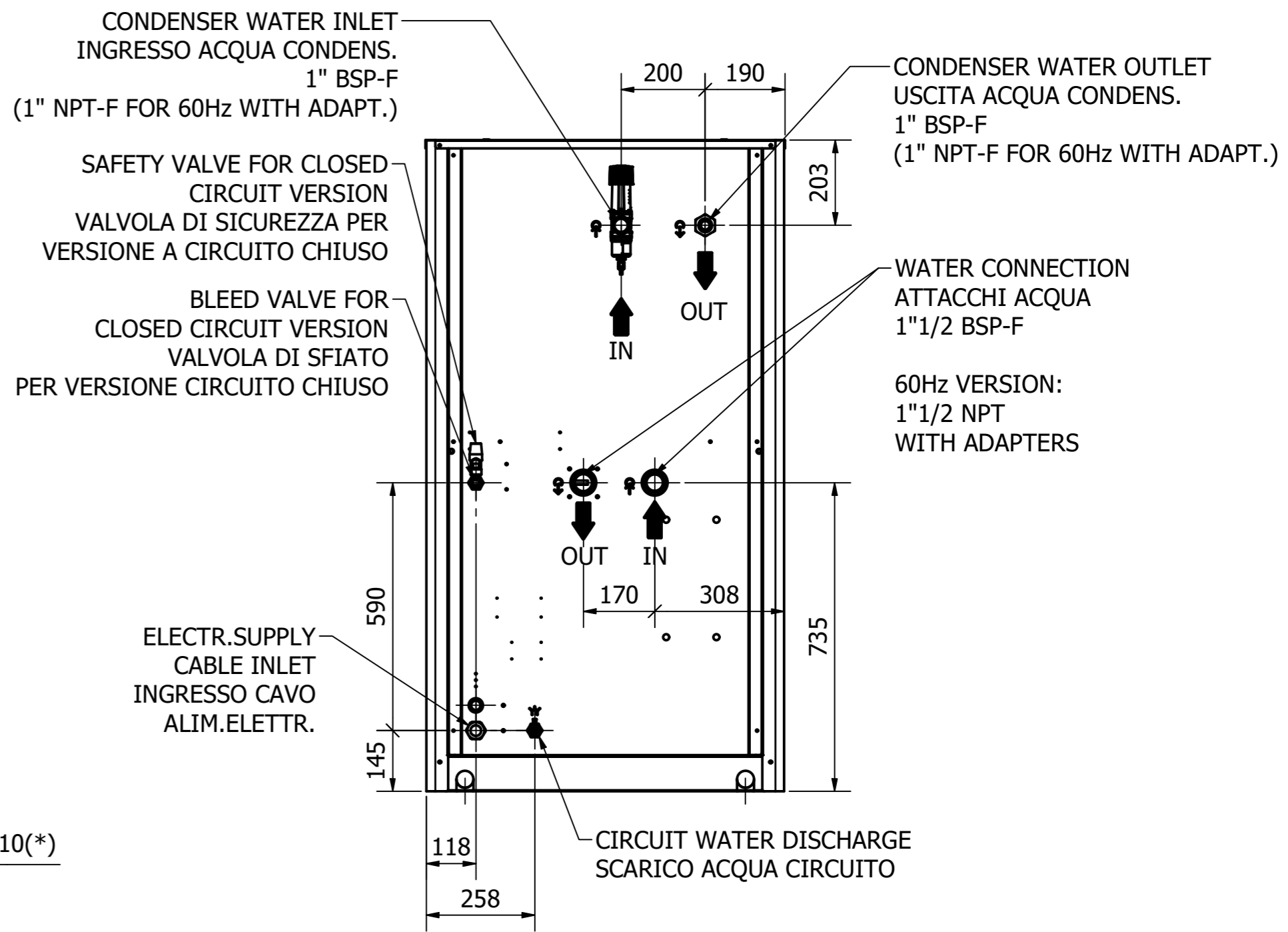
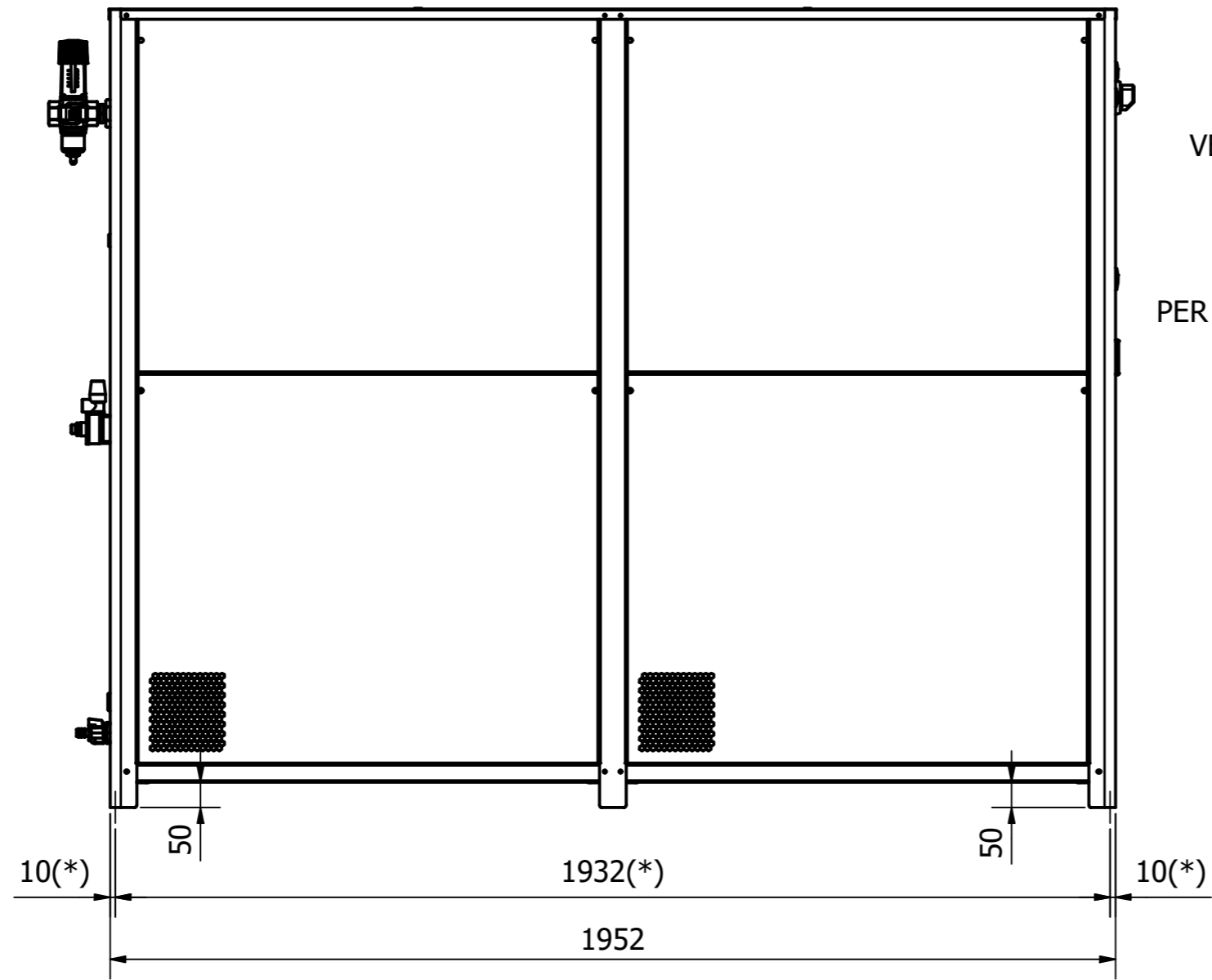
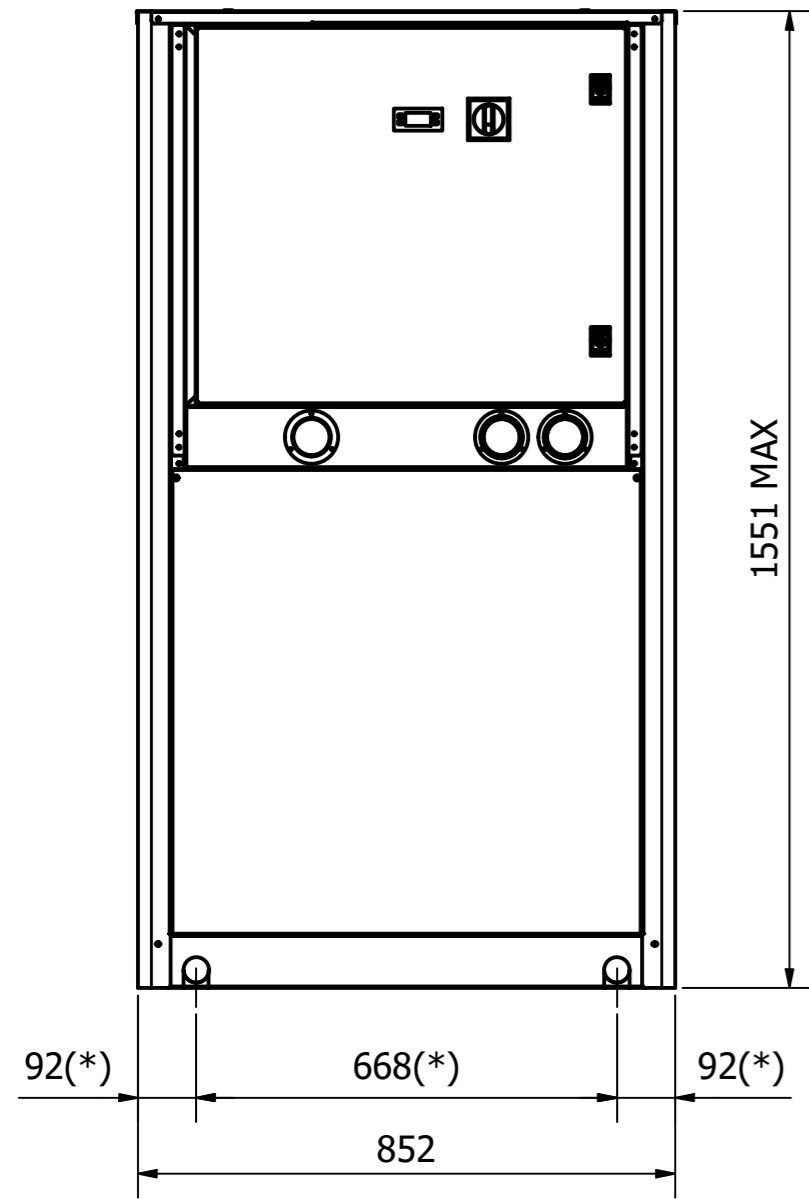
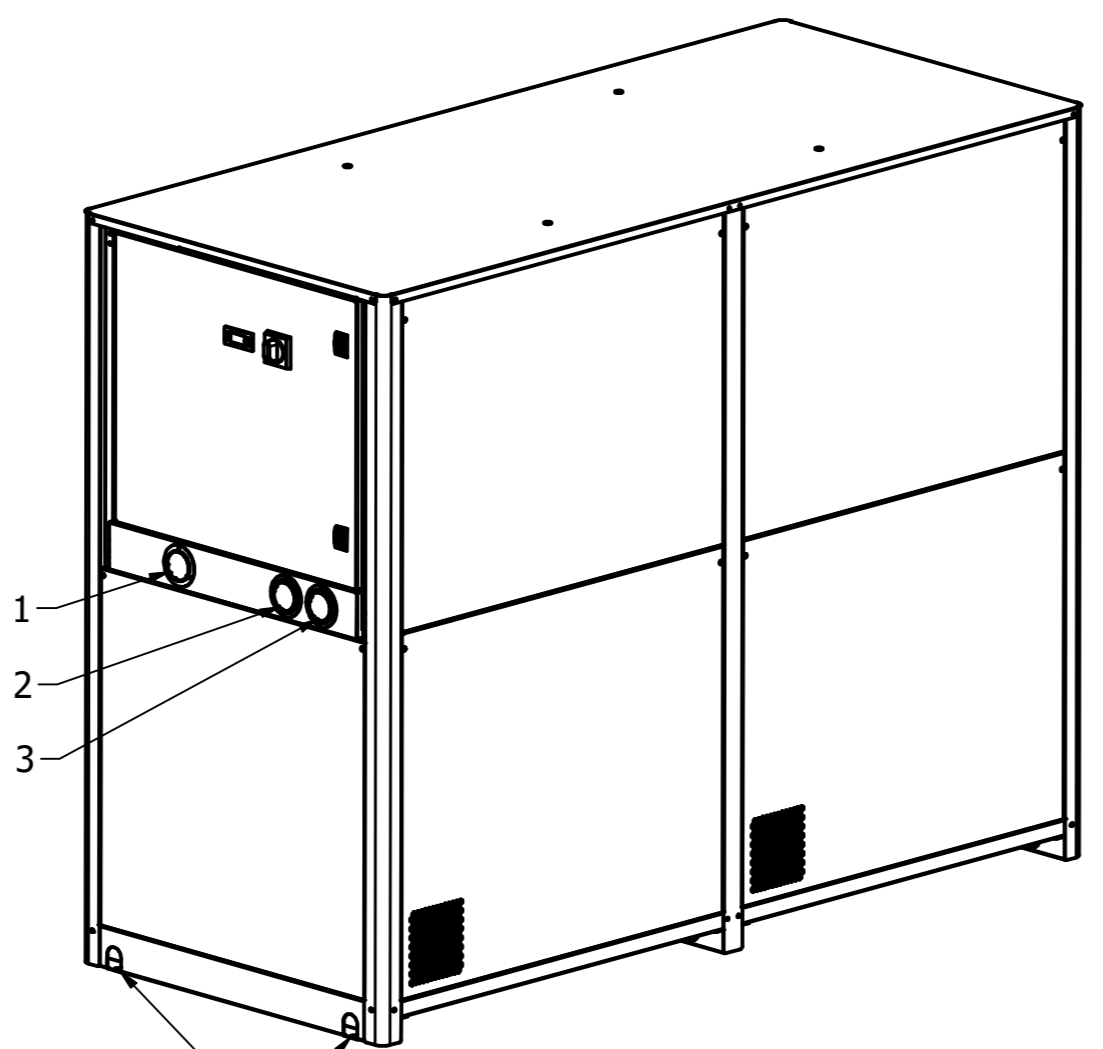


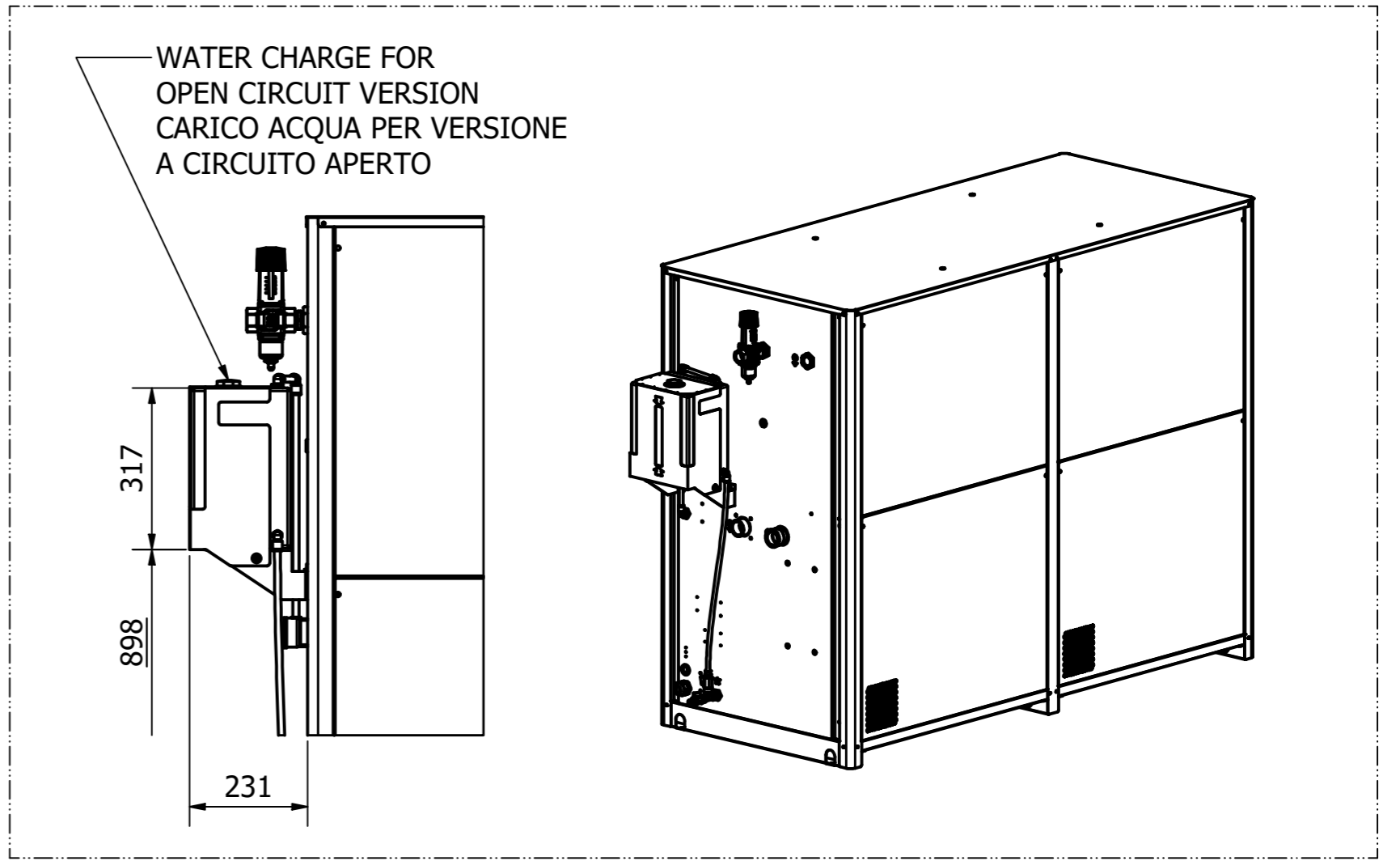
REV.	DESCRIPTION	DATE	AUTHOR	APPROVED
A	SAFETY VALVE ADDED	30/04/2024	M.BENIN	M.PRENDIN



- 1-WATER PRESSURE GAUGE
- 2-LOW REFRIGERANT PRESSURE GAUGE
- 3-HIGH REFRIGERANT PRESSURE GAUGE



(*) No.4 Ø12 HOLES
BASE FIXING HOLES POSITION
FORI FISSAGGIO BASE



Parker Hannifin Manufacturing S.r.l.		Gas Separation and Filtration Division EMEA - Strada Zona Industriale,4- 35020 - S. Angelo di Piove (PD) -ITALY	
TOLERANCE UNI EN 22768 - mK UNI EN ISO 13920 - AE DIN 28005 ISO 1302	ECO ECO-XXXXXXX Checked/Approved by ENOVIA process	DESCRIPTION OVERALL DIM. ICEP 034/041E WATER COND. DIM. INGOMBRO ICEP 034/041E COND.ACQUA	
AUTHOR MB238398	DATE 25/03/2024	DRAWING NO. BMA041IN1W	REV. A
ISO 128-30 Method 1	SCALE 1:12	MASS kg	FORMAT A2
UNITS MM	MATERIAL	JDE Cod. Art. (Optional)	SHEET 1 / 1