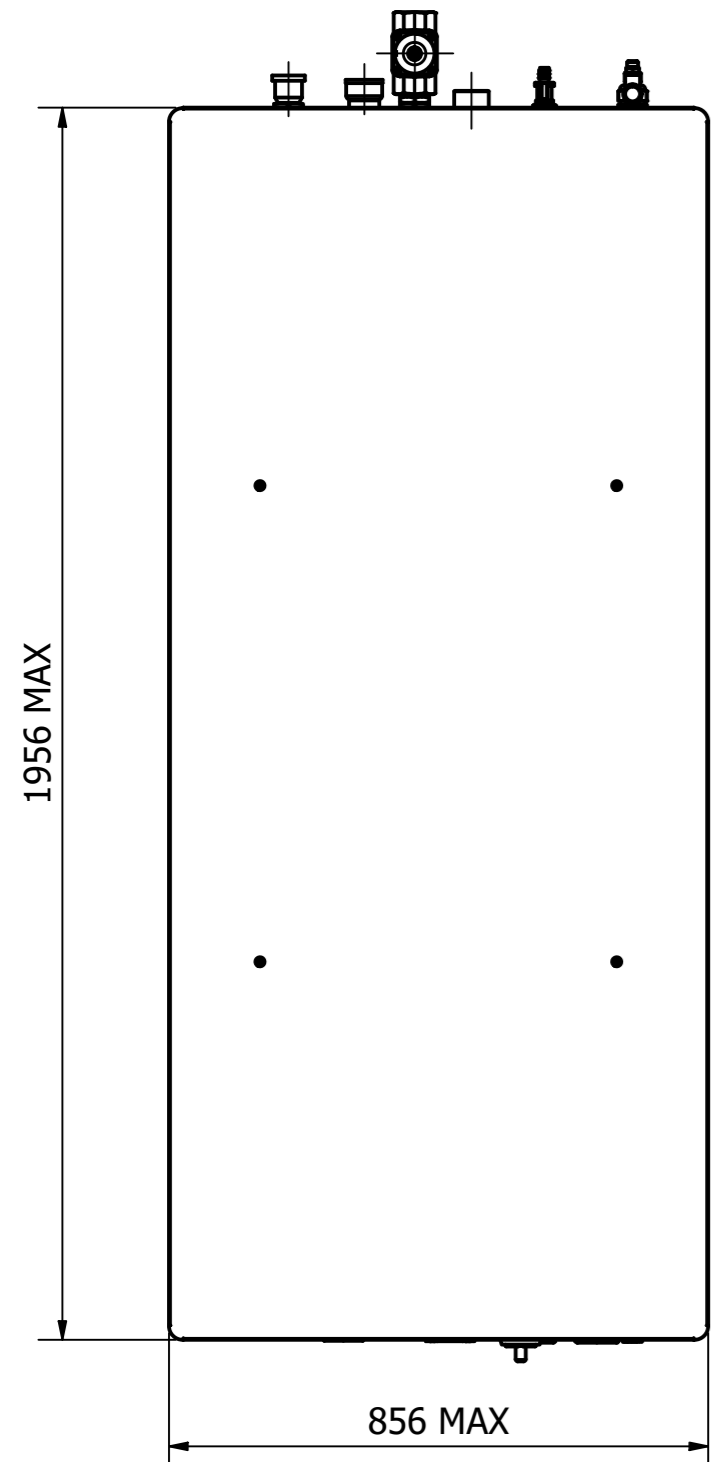
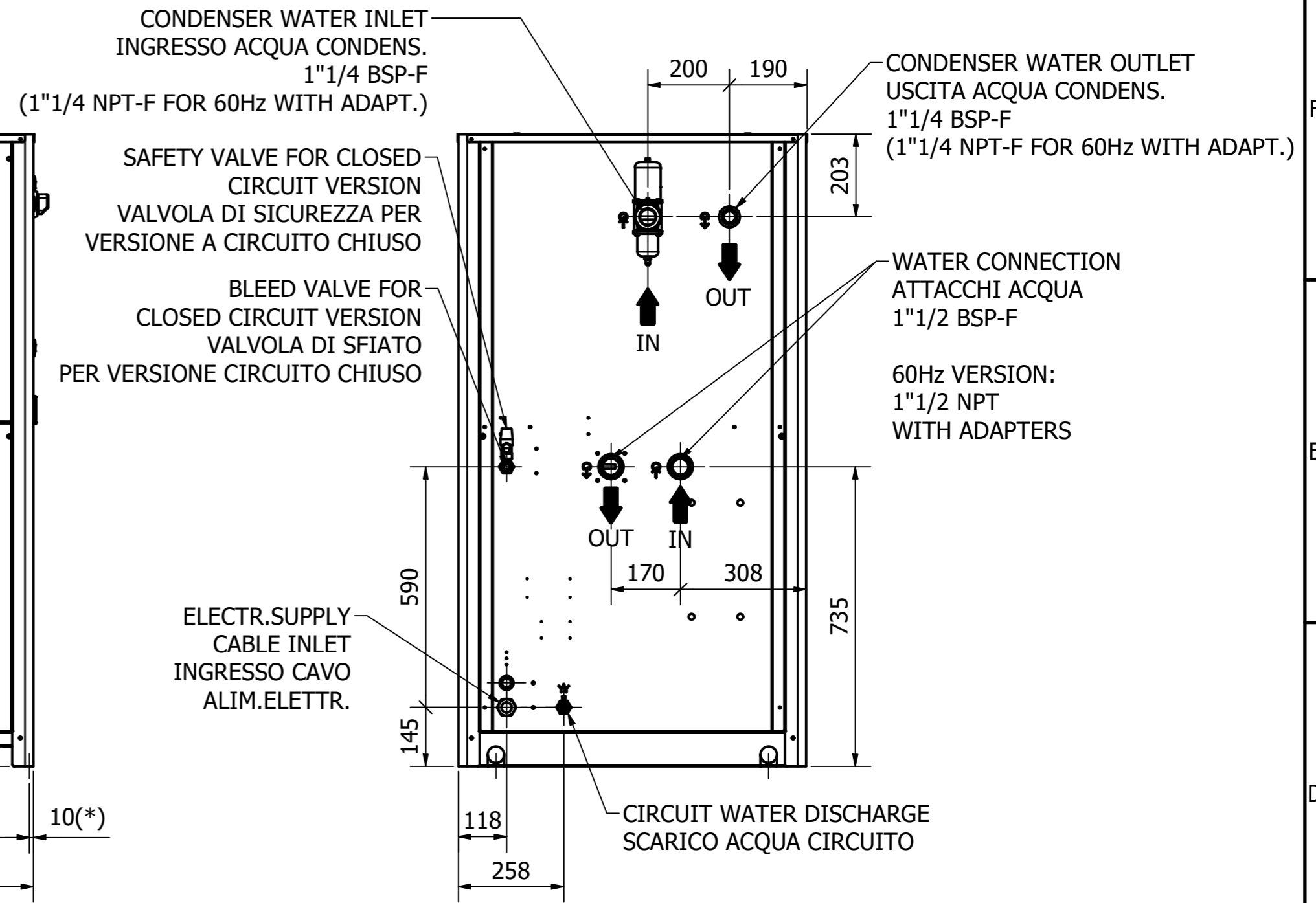
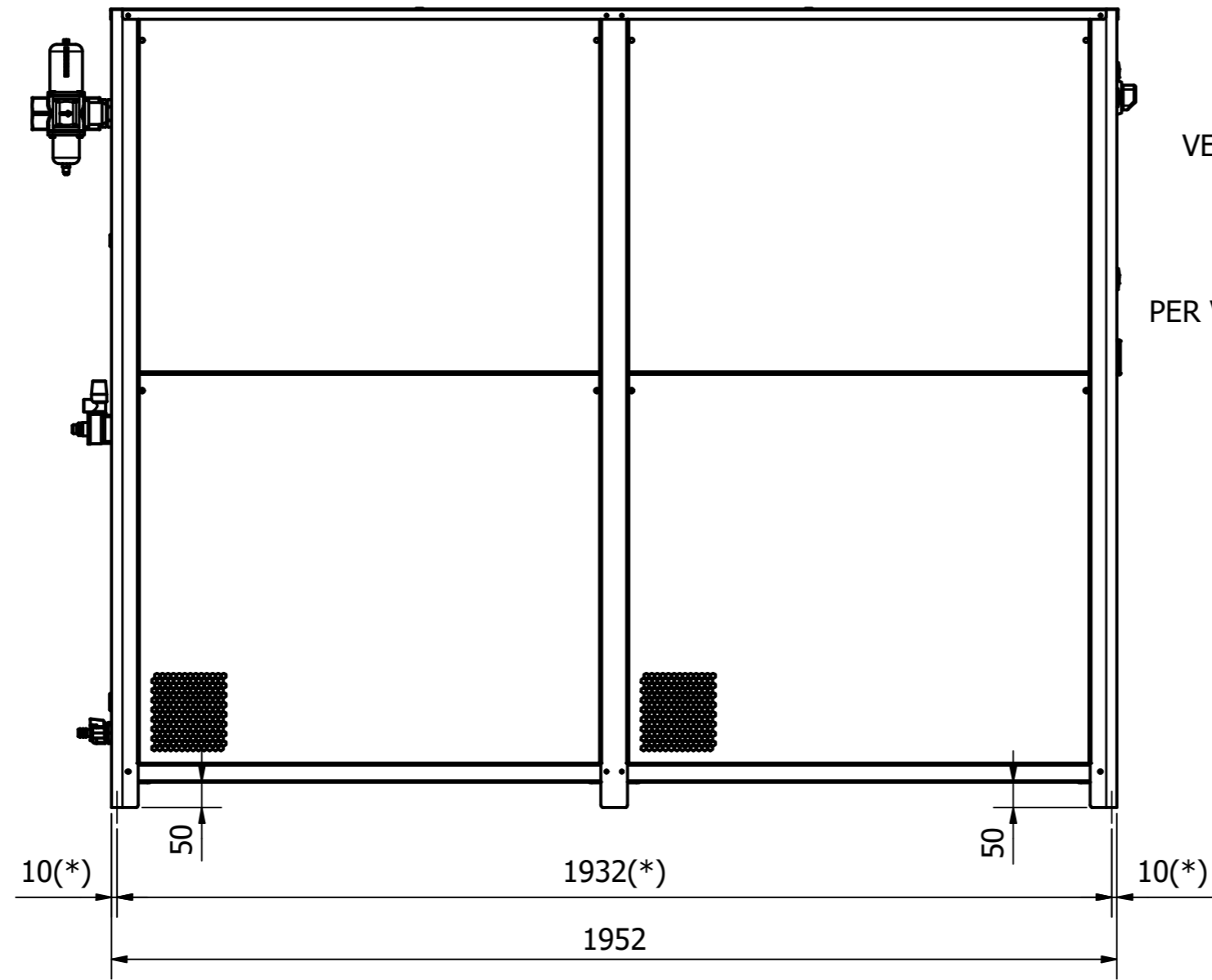
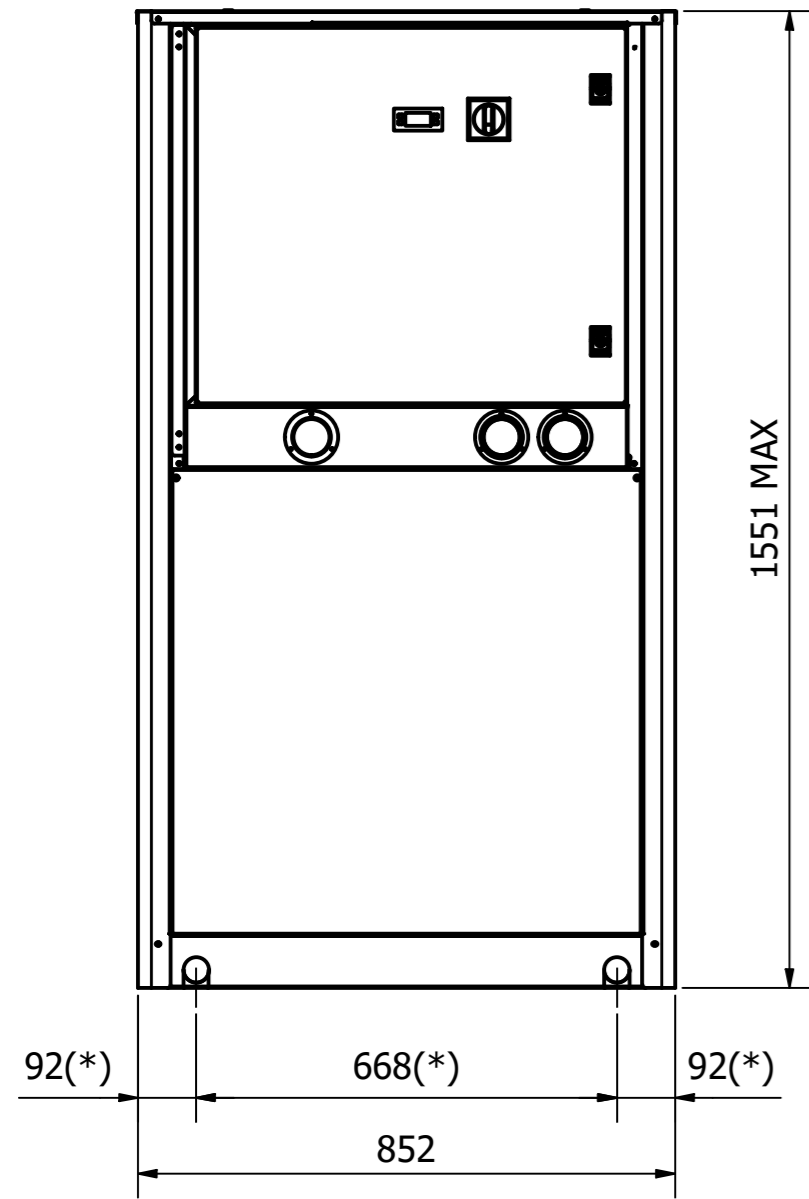
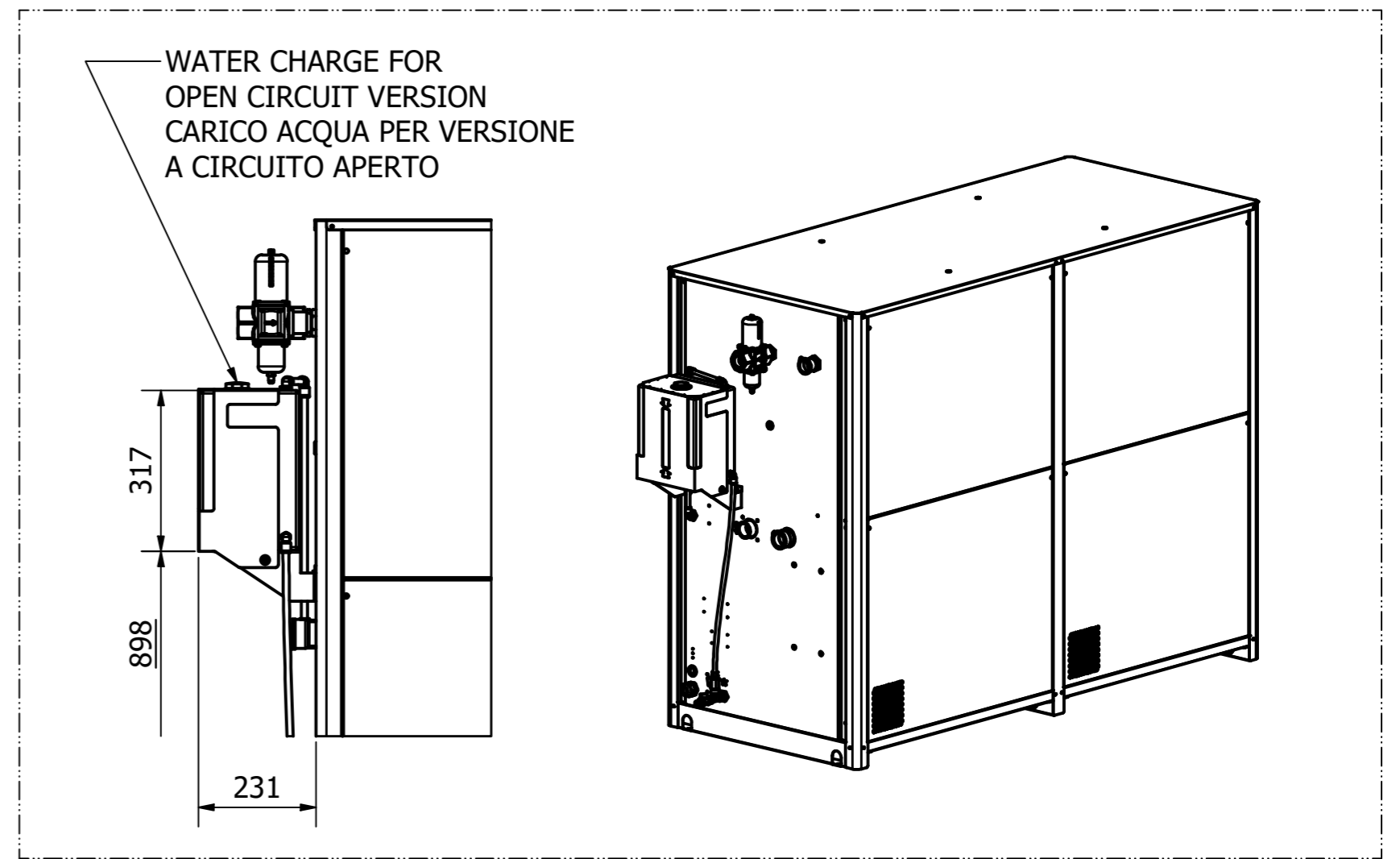
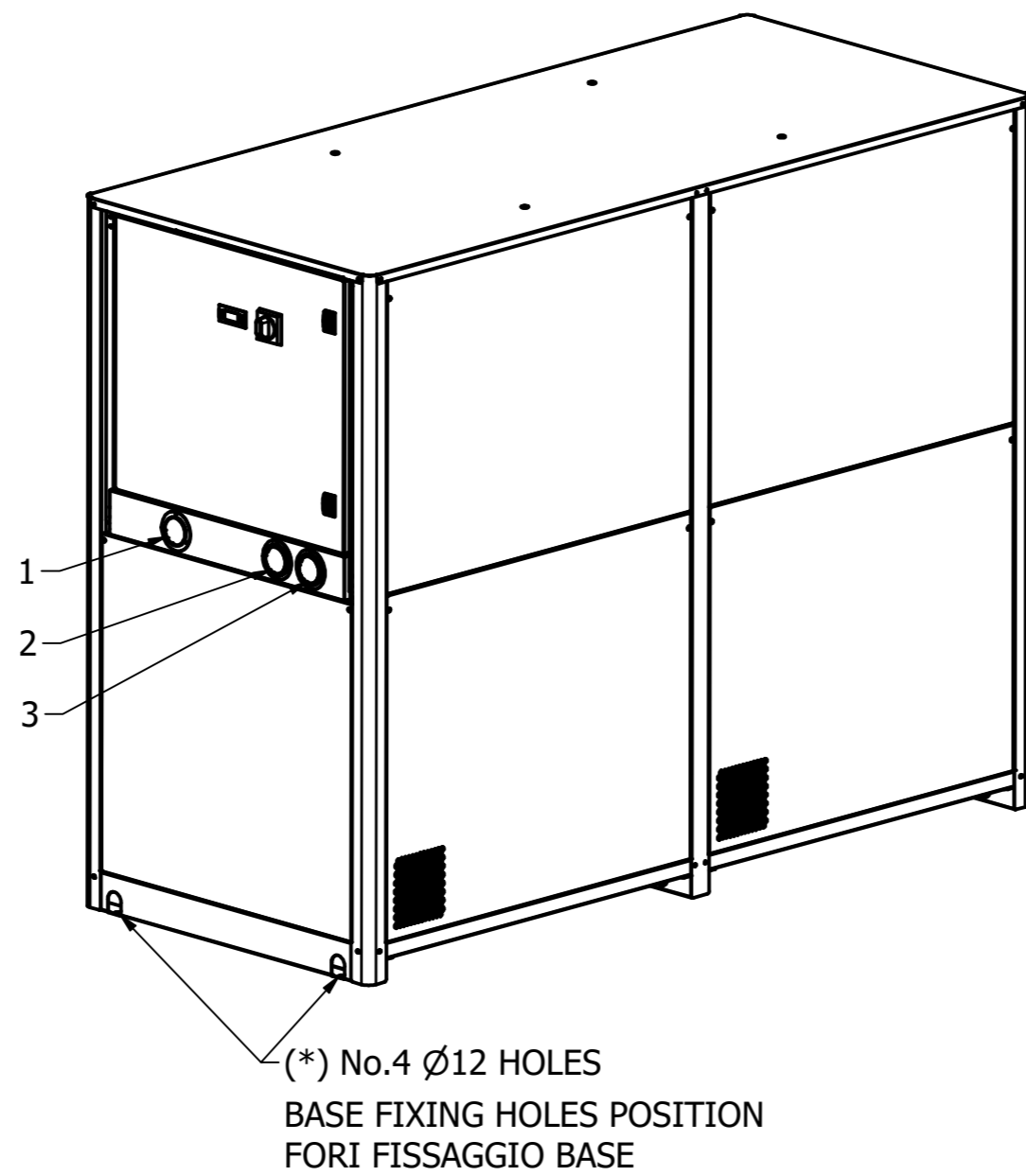


REV.	DESCRIPTION	DATE	AUTHOR	APPROVED
A	SAFETY VALVE ADDED	30/04/2024	M.BENIN	M.PRENDIN



- 1-WATER PRESSURE GAUGE
- 2-LOW REFRIGERANT PRESSURE GAUGE
- 3-HIGH REFRIGERANT PRESSURE GAUGE



<b>Parker Hannifin Manufacturing S.r.l.</b>		Gas Separation and Filtration Division EMEA - Strada Zona Industriale,4- 35020 - S. Angelo di Piove (PD) -ITALY	
TOLERANCE	ECO	DESCRIPTION	OVERALL DIM. ICEP 055/065E WATER COND.
UNI EN 22768 - mK UNI EN ISO 13920 - AE DIN 28005 ISO 1302	<b>ECO-XXXXXXX</b> Checked/Approved by ENOVIA process		DIM. INGOMBRO ICEP 055/065E COND.ACQUA
ISO 128-30 Method 1	AUTHOR MB238398 DATE 25/03/2024	DRAWING NO.	<b>BMA065IN1W</b>
	SCALE 1:12 MASS kg	FORMAT A2	SHEET 1 / 1
UNITS MM	MATERIAL	JDE Cod. Art. (Optional)	