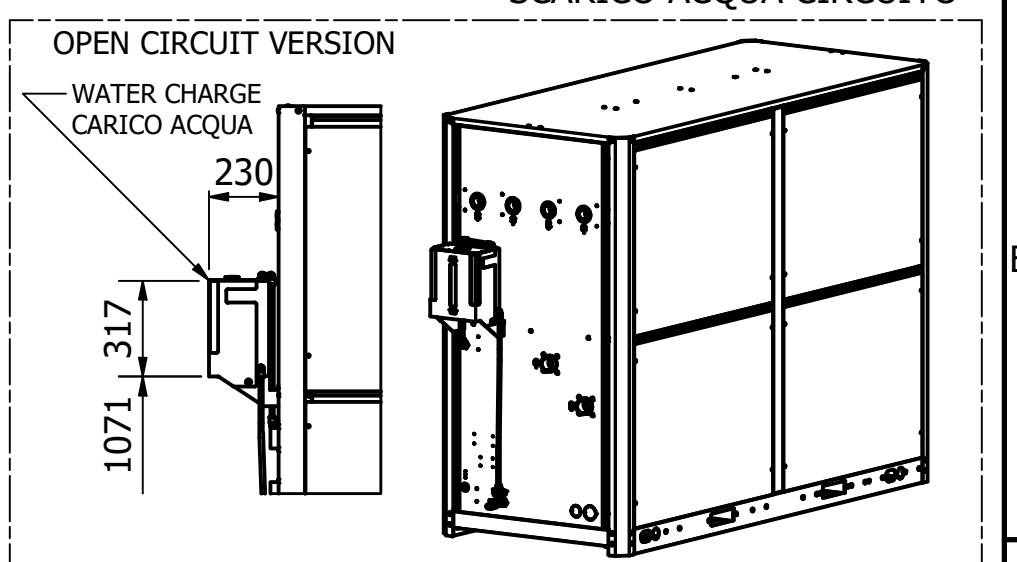
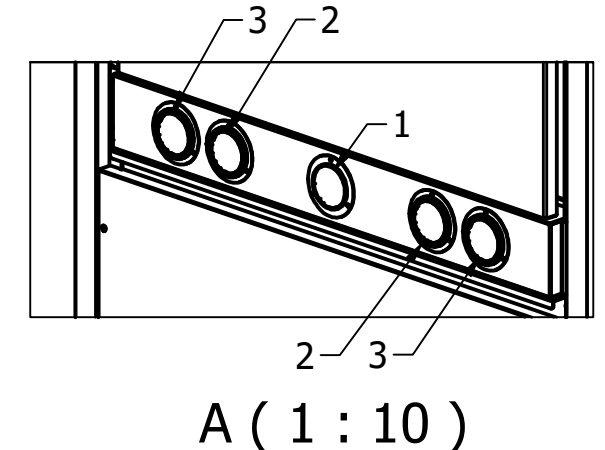
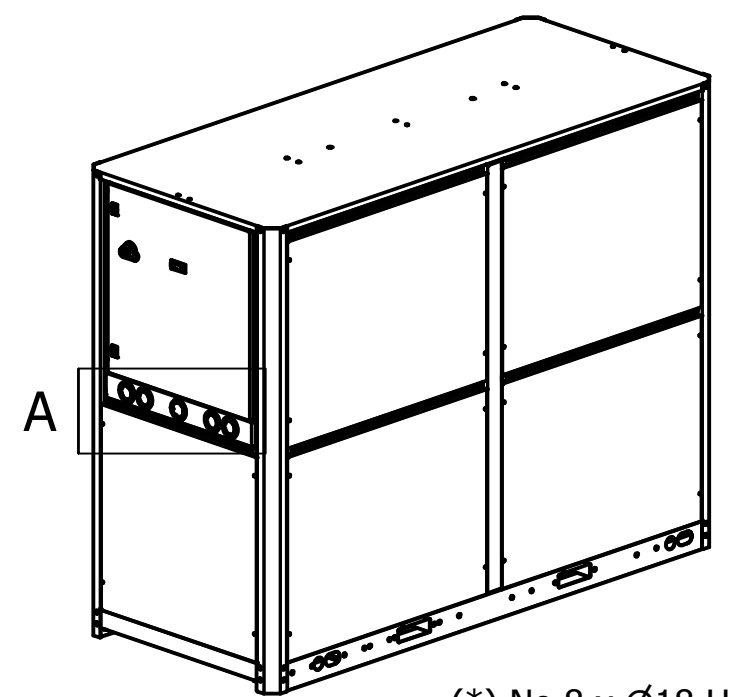


- 1-WATER PRESSURE GAUGE
- 2-LOW REFRIGERANT PRESSURE GAUGE
- 3-HIGH REFRIGERANT PRESSURE GAUGE



(*) No.8 x Ø18 HOLES
BASE FIXING HOLES POSITION
FORI FISSAGGIO BASE

Parker		Parker Hannifin Manufacturing S.r.l.	
Gas Separation and Filtration Division EMEA - Strada Zona Industriale,4- 35020 - S. Angelo di Piove (PD) - ITALY			
TOLERANCE UNI EN 22768 - mK UNI EN ISO 13920 - AE DIN 28005 ISO 1302	ECO ECO-XXXXXXXX Checked/Approved by ENOVIA process	DESCRIPTION OVER.DIMENS.ICEP 080/120E WATER COND. DIMES.INGOMBRO ICEP 080/120E COND.ACQUA	
ISO 128-30 Method 1	AUTHOR MB238398	DATE 25/03/2024	DRAWING NO. H39AP0120L002
UNITS MM	SCALE 1:22	MASS kg	REV. A
MATERIAL			JDE Cod. Art. (Optional)
			FORMAT A3
			SHEET 1 / 1

REV.	DESCRIPTION	DATE	AUTHOR	APPROVED
A	SAFETY VALVE ADDED	30/04/2024	M.BENIN	M.PRENDIN

THIS DOCUMENT CONTAINS INFORMATION THAT IS CONFIDENTIAL AND PROPRIETARY TO PARKER HANNIFIN MANUFACTURING - GAS SEPARATION AND FILTRATION DIVISION EMEA. THIS DOCUMENT IS FURNISHED ON THE UNDERSTANDING THAT THE DOCUMENT AND THE INFORMATION IT CONTAINS WILL NOT BE COPIED OR DISCLOSED TO OTHERS OR USED FOR ANY PURPOSE OTHER THAN CONDUCTING BUSINESS WITH PARKER, AND WILL BE RETURNED AND ALL FURTHER USE DISCONTINUED UPON REQUEST BY PARKER. THE RECIPIENT OF THIS DOCUMENT THROUGH ITS OWN ANALYSIS AND TESTING IS SOLELY RESPONSIBLE FOR MAKING THE FINAL SELECTION OF THE APPLICABLE SYSTEM AND COMPONENTS AND ASSUMING THAT ALL PERFORMANCE, ENDURANCE, MAINTENANCE, SAFETY AND WARNING REQUIREMENTS OF THE APPLICATION ARE MET. COPYRIGHT PARKER, YEAR OF COPYRIGHT IS FIRST YEAR INDICATED ON THIS DOCUMENT. ALL RIGHTS RESERVED. EMEA is a registered trademark owned by Parker Hannifin S.p.A.