

V Type Capsule Vent Cartridge

»» Technical Data Sheet

Description

Pure provides disposable vented capsule filters specifically designed for particulate and microbial removal. The product is available in full polypropylene (PP) material or polytetrafluoroethylene (PTFE) material, making it an ideal filter for tank venting applications to effectively remove bacteria and other microorganisms from gases, balance tank pressure, and prevent contamination. The filtration components feature extremely low extractables and contain no surfactants or adhesives, allowing for easy installation on various tanks and containers.



Features

- Integrated filter cartridge design: Ready-to-use installation eliminates leakage risks
- Pleated filter layer structure: High-flow extends service life
- Excellent chemical compatibility: Resistant to corrosion for long-term stable performance
- Built-in splash-proof structure: Effectively prevents liquid backflow
- Low-cost investment: Economical and efficient filtration solution

Applications

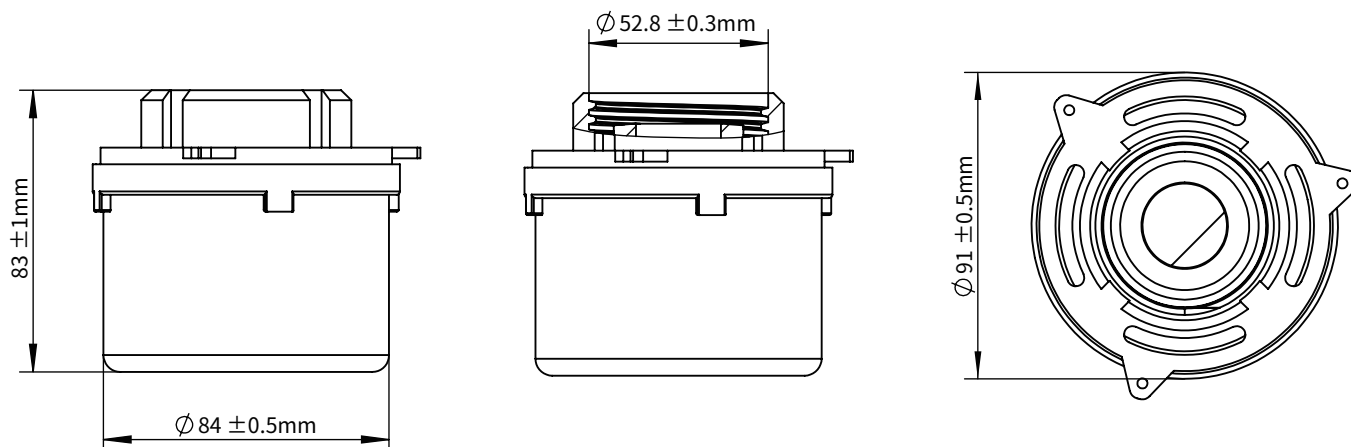
- Pharmaceuticals: Sterile Tank Vent Filters
- Food & Beverage: Fermentation Tank Air Filtration
- Chemical Production: Corrosive Media Storage Tank Protection



Technical Parameters

Materials of Construction	Filter Material	PP/PTFE
	Capsule Shell	PP
	Support/Drainage	PP
	Core/Cage/End Cap	PP
Filter Dimensions	Filtration Area	PP:500cm ² PTFE: 800cm ²
	Cartridge Height	83±2mm
	Cartridge Diameter	91±2mm
Biological Safety	Bio-compatibility	Meet USP <87> in vitro Cytotoxicity Test Meet the criteria of the USP <88> Biological Reactivity Test for Class VI-121°C plastics
	Endotoxins	<0.25EU/ml

Dimension



Ordering Information

Type	Inlet/Outlet	Material	Removal Ratings	Sterilization
V	25 = DIN25 threaded 32 = DIN32 threaded	PPA = PP PTFESG = PTFE	020 = $0.20 \mu\text{m}$ 045 = $0.45 \mu\text{m}$ 100 = $1.0 \mu\text{m}$	Blank = Non-sterile (Autoclavable)